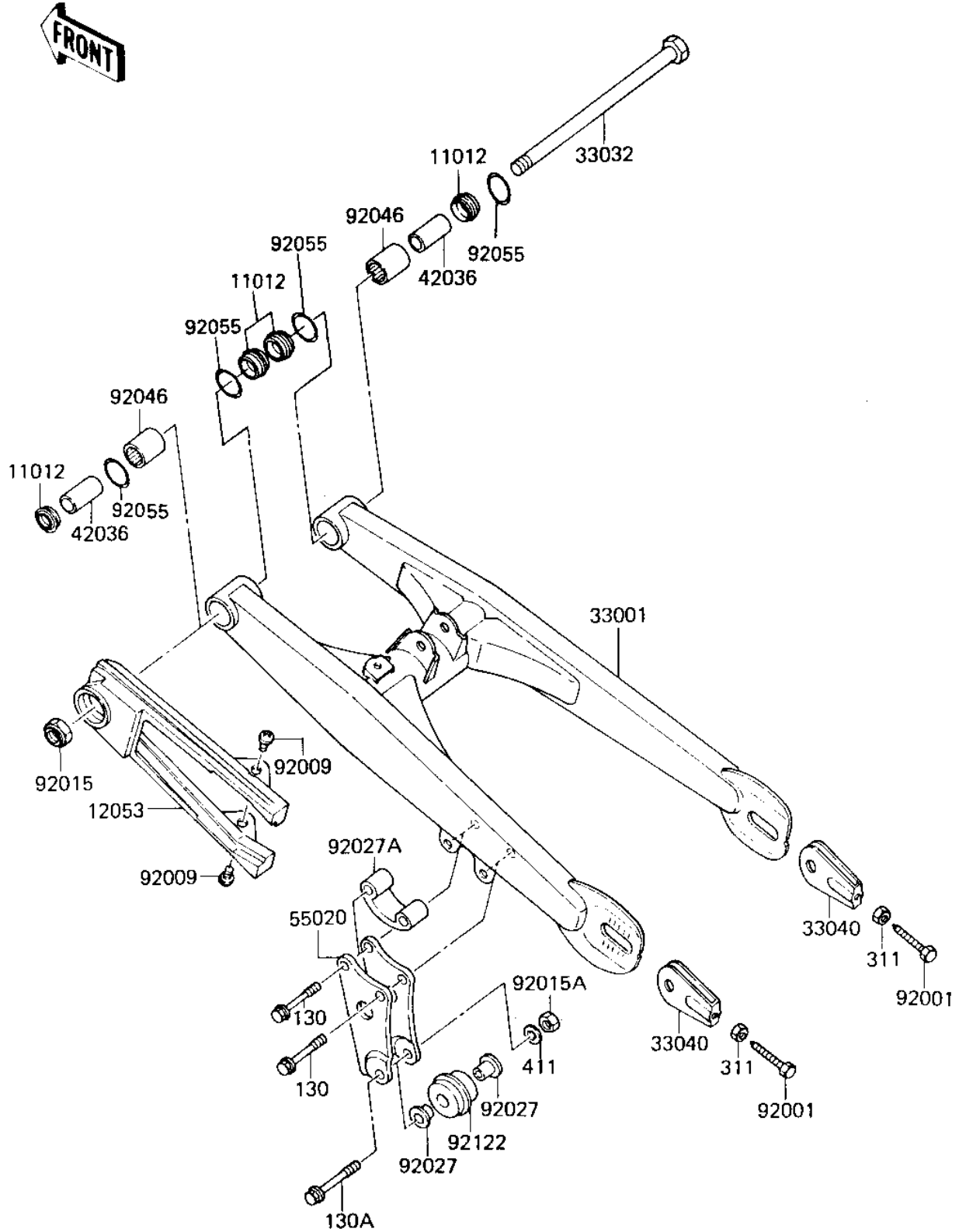


1984 KX™80 PARTS DIAGRAM

SWING ARM ('84 KX80-E2)

F2140-0152



1984 KX™80 PARTS LIST

SWING ARM ('84 KX80-E2)

ITEM NAME	PART NUMBER	QUANTITY
CAP,SWING ARM (Ref # 11012)	11012-1263	1
GUIDE-CHAIN,FR (Ref # 12053)	12053-1074	1
ARM-COMP-SWING (Ref # 33001)	33001-1206	1
SHAFT-SWING ARM,PIVOT (Ref # 33032)	33032-1031	1
ADJUSTER-CHAIN (Ref # 33040)	33040-1055	1
SLEEVE,SWING ARM,L=34 (Ref # 42036)	42036-1067	1
GUARD,CHAIN,RR (Ref # 55020)	55020-1163	1
BOLT,6X38 (Ref # 92001)	92001-1463	1
SCREW,6X10 (Ref # 92009)	92009-1286	1
NUT (Ref # 92015)	92015-1774	1
NUT,LOCK 6MM (Ref # 92015A)	92017-014	1
COLLAR,RADIATOR GUARD (Ref # 92027)	92027-1183	1
COLLAR,CHAIN GUIDE (Ref # 92027A)	92027-1495	1
BEARING-NEEDLE (Ref # 92046)	92046-1046	1
RING-0,SWING ARM (Ref # 92055)	92055-1240	1
ROLLER,CHAIN GUIDE (Ref # 92122)	92122-1030	1
BOLT,FLANGED,6X45 (Ref # 130)	130G0645	1
BOLT-FLANGED,6X50 (Ref # 130A)	130G0650	1
NUT 6MM (Ref # 311)	311B0600	1
WASHER PLAIN 6MM (Ref # 411)	411B0600	1