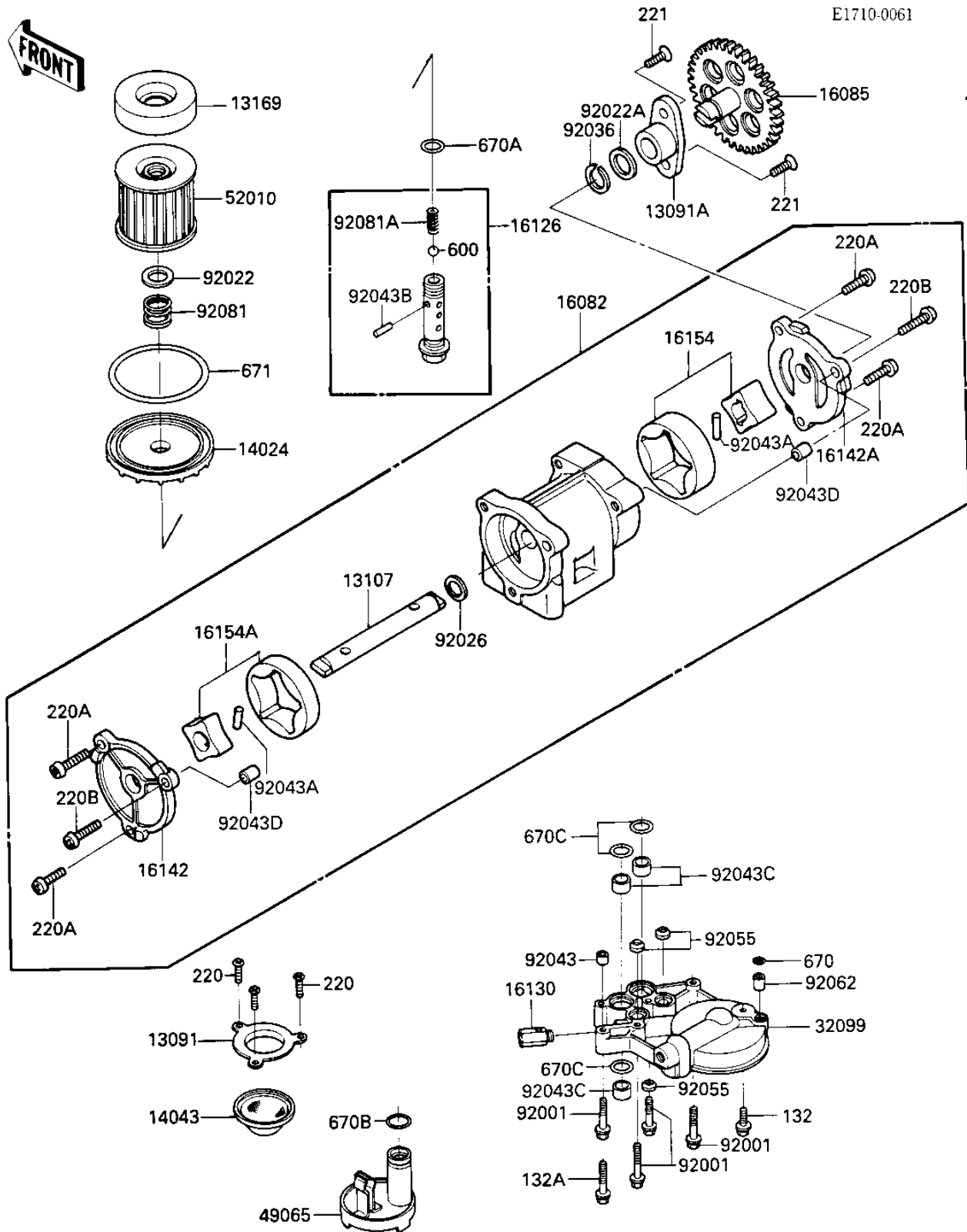


1984 NINJA® ZX™-9R PARTS DIAGRAM

OIL PUMP/OIL FILTER

E1710-0061



1984 NINJA® ZX™-9R PARTS LIST

OIL PUMP/OIL FILTER

| ITEM NAME | PART NUMBER | QUANTITY |
|-------------------------------------|-------------|----------|
| HOLDER,OIL FILTER (Ref # 13091) | 13091-1274 | 1 |
| HOLDER,PUMP GEAR (Ref # 13091A) | 13091-1333 | 1 |
| SHAFT,OIL PUMP (Ref # 13107) | 13107-1105 | 1 |
| PLATE,OIL FILTER (Ref # 13169) | 13169-1313 | 1 |
| COVER,OIL FILTER,F.BL (Ref # 14024) | 14025-1422 | 1 |
| STRAINER,OIL (Ref # 14043) | 16111-003 | 1 |
| PUMP-ASSY-OIL (Ref # 16082) | 16082-1060 | 1 |
| GEAR,OIL PUMP,35T (Ref # 16085) | 16085-1103 | 1 |
| VALVE,OIL FILTER (Ref # 16126) | 16126-1108 | 1 |
| RELEAF VALVE ASSY (Ref # 16130) | 16130-1001 | 1 |
| COVER-PUMP,LH (Ref # 16142) | 16142-1052 | 1 |
| COVER-PUMP,RH (Ref # 16142A) | 16142-1054 | 1 |
| ROTOR ASSY,OIL PUMP (Ref # 16154) | 16154-1007 | 1 |
| ROTOR-PUMP (Ref # 16154A) | 16154-1053 | 1 |
| CASE,OIL FILTER (Ref # 32099) | 32099-1083 | 1 |
| FILTER-OIL (Ref # 49065) | 49065-1066 | 1 |
| FILTER,OIL (Ref # 52010) | 16099-003 | 1 |
| BOLT,FLANGED,6X38 (Ref # 92001) | 92001-1105 | 1 |
| WASHER,20.5X30X1.0 (Ref # 92022) | 92022-1012 | 1 |
| WASHER,14X20X1 (Ref # 92022A) | 92022-1495 | 1 |
| SPACER,OIL PUMP (Ref # 92026) | 92026-1230 | 1 |
| RING-SNAP,PUMP GEAR (Ref # 92036) | 92036-1052 | 1 |
| PIN-DOWEL (Ref # 92043) | 92042-007 | 1 |
| PIN,DOWEL 5X17.8 (Ref # 92043A) | 92043-1061 | 1 |
| SPRING PIN (Ref # 92043B) | 92043-111 | 1 |
| PIN,18X20X12 (Ref # 92043C) | 92043-1213 | 1 |
| PIN,DOWEL,8X10 (Ref # 92043D) | 92043-1302 | 1 |
| "O" RING (Ref # 92055) | 92055-077 | 1 |
| NOZZLE (Ref # 92062) | 92062-1055 | 1 |

1984 NINJA® ZX™-9R PARTS LIST

OIL PUMP/OIL FILTER

| ITEM NAME | PART NUMBER | QUANTITY |
|----------------------------------|-------------|----------|
| SPRING,OIL FILTER (Ref # 92081) | 92081-1018 | 1 |
| SPRING (Ref # 92081A) | 92081-109 | 1 |
| BOLT-FLANGED-SMALL (Ref # 132) | 132G0616 | 1 |
| BOLT-FLANGED-SMALL (Ref # 132A) | 132G0645 | 1 |
| SCREW PAN HEAD 6X12 (Ref # 220) | 220B0612 | 1 |
| SCREW PAN HEAD 6X14 (Ref # 220A) | 220B0614 | 1 |
| SCREW PAN HEAD 6X20 (Ref # 220B) | 220B0620 | 1 |
| SCREW CNTSNK HD 6X16 (Ref # 221) | 221B0616 | 1 |
| BALL STEEL 3/8" (Ref # 600) | 600A1200 | 1 |
| "O" RING,8MM (Ref # 670) | 670B1508 | 1 |
| "O" RING,16MM (Ref # 670A) | 670B2016 | 1 |
| "O" RING,18MM (Ref # 670B) | 670B2018 | 1 |
| O RING (Ref # 670C) | 670D2020 | 1 |
| "O" RING,90MM (Ref # 671) | 671B2590 | 1 |