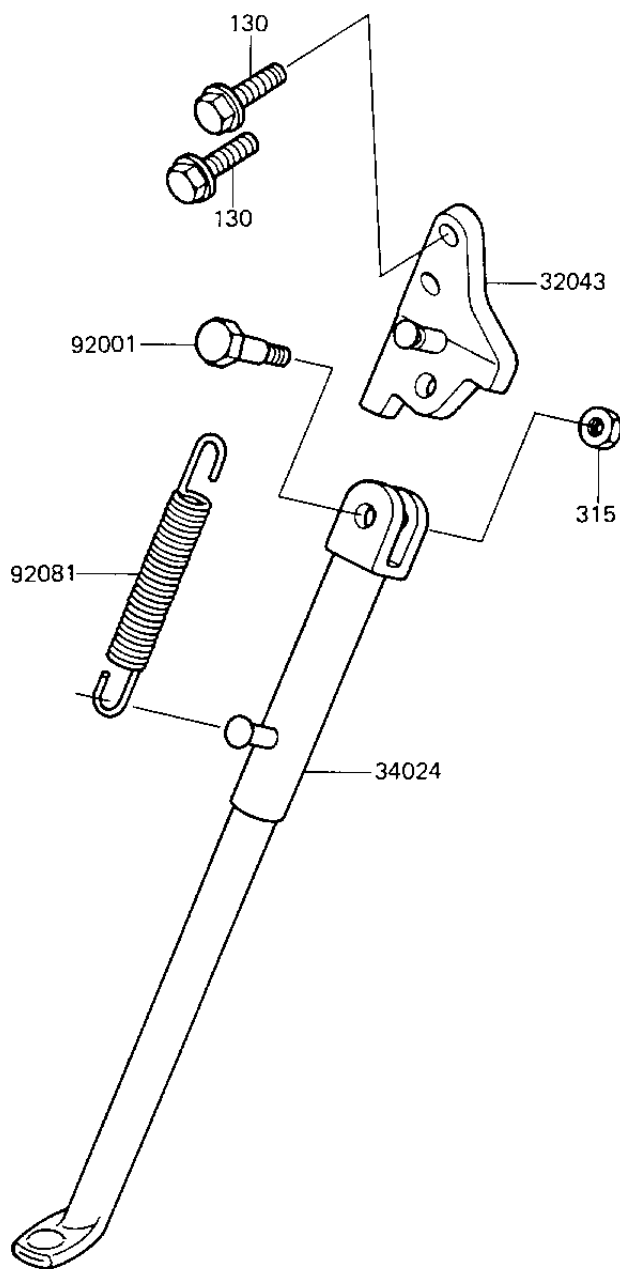


1985 KX™250 PARTS DIAGRAM

STAND

F2190-0106



R
N

32
34
92
92

1985 KX™250 PARTS LIST

STAND

ITEM NAME	PART NUMBER	QUANTITY
BRACKET-STAND,SIDE (Ref # 32043)	32043-1244	1
STAND-SIDE (Ref # 34024)	34024-1186	1
BOLT, SIDE STAND FIT (Ref # 92001)	92003-157	1
SPRING-SIDE STAND (Ref # 92081)	34025-004	1
BOLT-FLANGED,10X16 (Ref # 130)	130G1016	1
NUT 10MM (Ref # 315)	315B1000	1