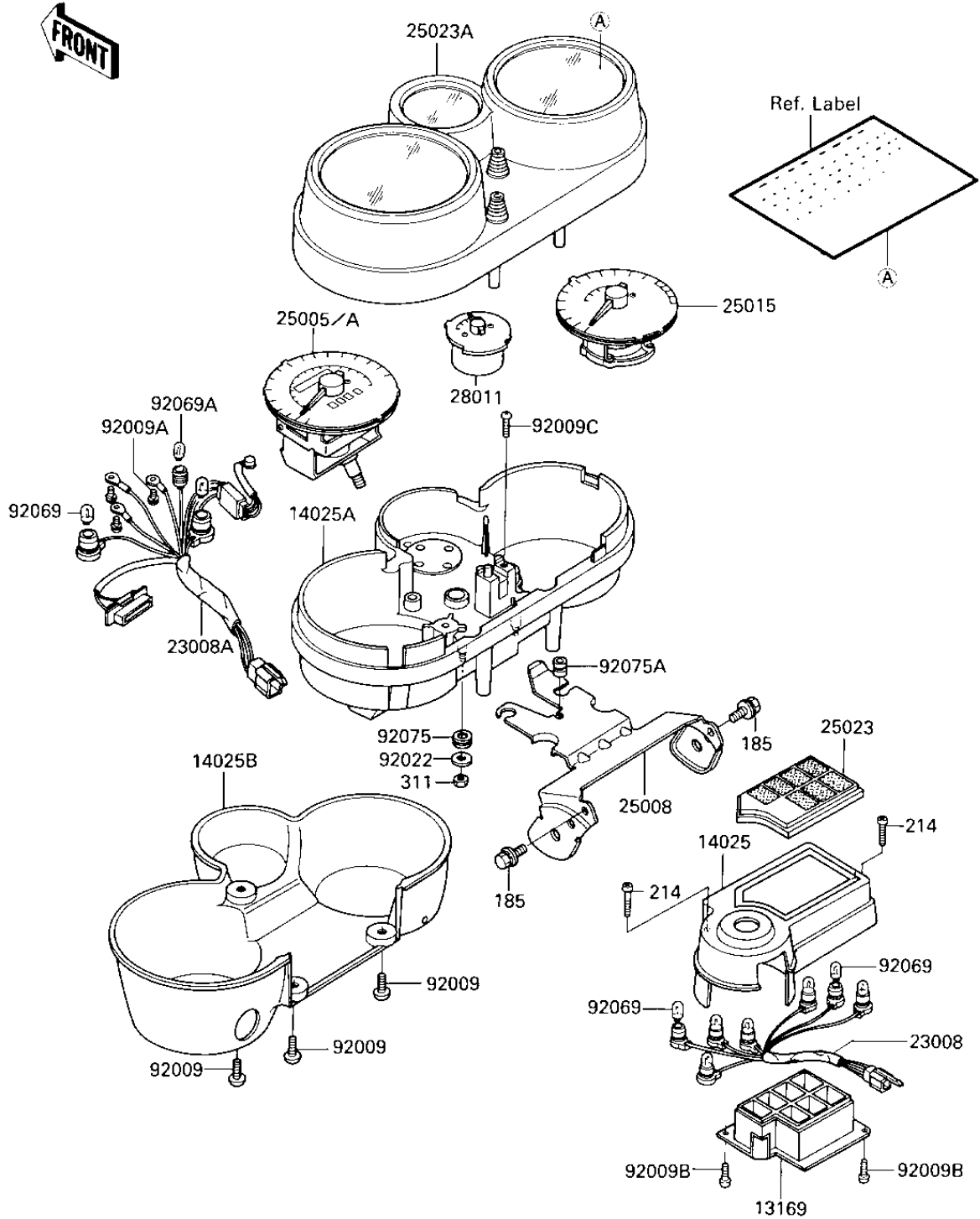


## 1984 1100 LTD Shaft PARTS DIAGRAM

METERS

F2530-0245



## 1984 1100 LTD Shaft PARTS LIST

### METERS

ITEM NAME	PART NUMBER	QUANTITY
PLATE,PILOT LAMP (Ref # 13169)	13169-1824	1
COVER,PILOT LAMP (Ref # 14025)	14025-1867	1
COVER,METER HOUSING (Ref # 14025A)	14025-1883	1
COVER,METER CASE,LWR (Ref # 14025B)	14025-1884	1
SOCKET-ASSY,PILOT LAM (Ref # 23008)	23008-1228	1
SOCKET-ASSY,METER (Ref # 23008A)	23008-1234	1
SPEEDOMETER,MPH (Ref # 25005)	25005-1279	1
SPEEDOMETER,KPH (Canada) (Ref # 25005A)	25005-1280	1
BRACKET-METER (Ref # 25008)	25008-1110	1
TACHOMETER,(X1000RPM) (Ref # 25015)	25015-1224	1
COVER-METER CASE,PILO (Ref # 25023)	25023-1115	1
COVER-METER CASE,UPP (Ref # 25023A)	25023-1118	1
METER,FUEL (Ref # 28011)	28011-1064	1
SCREW,4X16,BLACK (Ref # 92009)	92009-1158	1
SCREW,3X22 (Ref # 92009A)	92009-1293	1
SCREW,3X12 (Ref # 92009B)	92009-1326	1
SCREW,TAPPING,2.6X12 (Ref # 92009C)	92009-1330	1
WASHER,PLAIN,6MM (Ref # 92022)	92022-263	1
BULB,12V3.4W (Ref # 92069)	92069-1007	1
BULB,12V3W T-7 (Ref # 92069A)	92069-1020	1
DAMPER,METER BRACKET (Ref # 92075)	92075-1385	1
DAMPER,METER BRACKET (Ref # 92075A)	92075-1627	1
BOLT-UPSET-WSP-SMALL (Ref # 185)	185C0816	1
SCREW-PAN+- (Ref # 214)	214C0416	1
NUT,5MM (Ref # 311)	311B0500	1