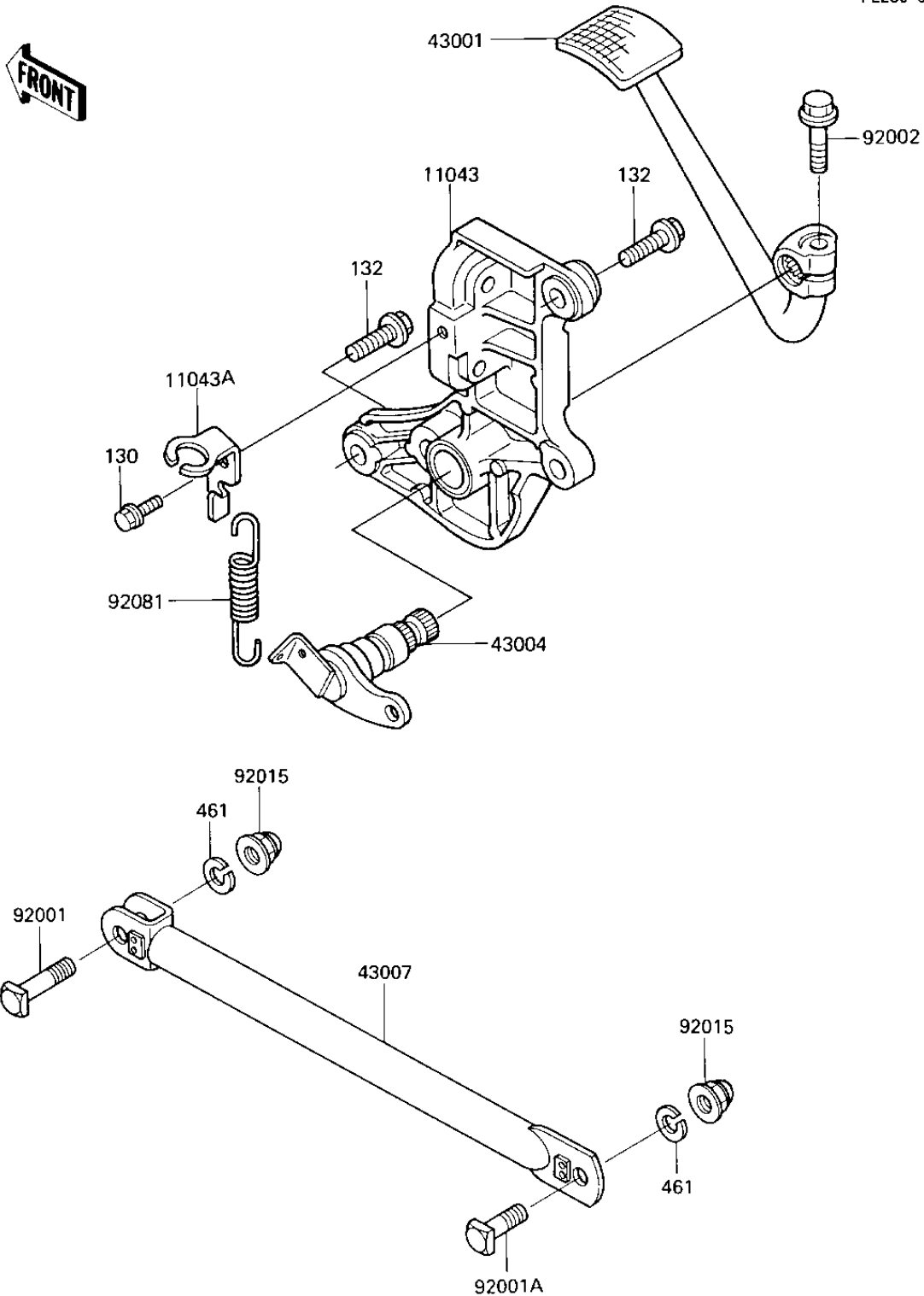


## 1985 1100 LTD Shaft PARTS DIAGRAM

BRAKE PEDAL/TORQUE LINK

F2260-0135



## 1985 1100 LTD Shaft PARTS LIST

BRAKE PEDAL/TORQUE LINK

ITEM NAME	PART NUMBER	QUANTITY
-----------	-------------	----------