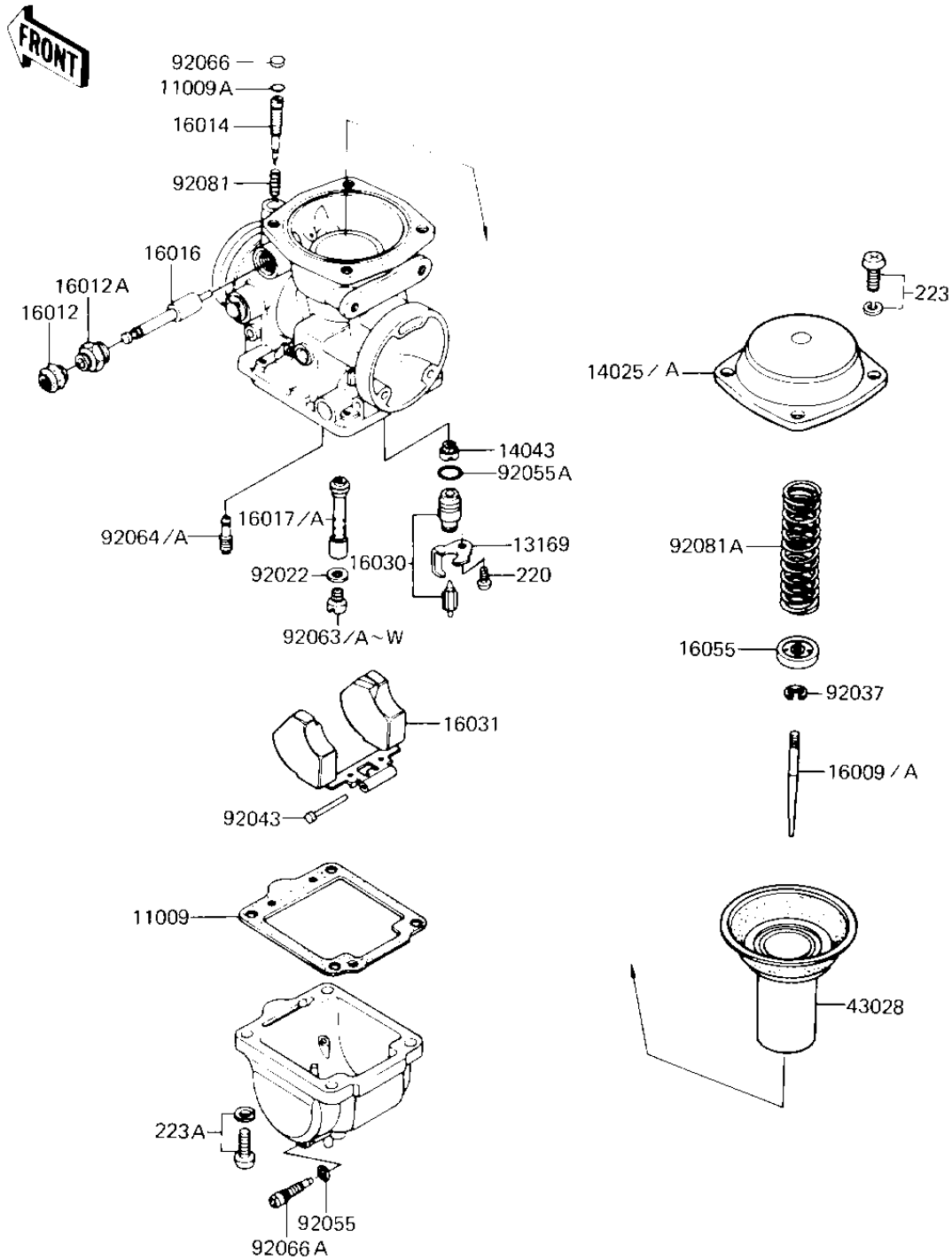


1984 1100 LTD Shaft PARTS DIAGRAM

CARBURETOR PARTS

E1612-0093



1984 1100 LTD Shaft PARTS LIST

CARBURETOR PARTS

ITEM NAME	PART NUMBER	QUANTITY
GASKET,FLOAT CHAMBER (Ref # 11009)	11009-1241	1
"O" RING (Ref # 11009A)	16038-022	1
PLATE (Ref # 13169)	13169-1482	1
COVER,MIXING CHAMBER, (Ref # 14025)	14025-1931	1
COVER,MIXING CHAMBER, (Ref # 14025A)	14025-1932	1
FILTER,FLOAT VALVE (Ref # 14043)	14043-1010	1
NEEDLE-JET-5C50 (Ref # 16009)	16009-1100	1
NEEDLE-JET,5C48 (Canada) (Ref # 16009A)	16009-1101	1
CAP-STARTER PLUNGER (Ref # 16012)	16012-1010	1
CAP-STARTER PLUNGER (Ref # 16012A)	16012-1011	1
SCREW-PILOT AIR (Ref # 16014)	16014-1014	1
PLUNGER (Ref # 16016)	16016-1019	1
JET-NEEDLE,Y-7 (Ref # 16017)	16017-1263	1
VALVE-FLOAT (Ref # 16030)	16030-1016	1
FLOAT (Ref # 16031)	16031-1013	1
PLATE,NEEDLE (Ref # 16055)	16055-010	1
DIAPHRAGM,VALVE (Ref # 43028)	43028-1034	1
WASHER MAIN JET (Ref # 92022)	16034-001	1
CIRCLIP (Ref # 92037)	16008-014	1
PIN,FLOAT (Ref # 92043)	16032-008	1
"O" RING (Ref # 92055)	92055-044	1
"O" RING (Ref # 92055A)	92055-1105	1
MAIN JET NO 125R (Ref # 92063)	92063-055	1
JET-MAIN,#A127.5 (Ref # 92063C)	92063-1100	2
MAIN JET NO 130R (Ref # 92063D)	92063-057	1
MAIN JET NO 120R (Ref # 92063G)	92063-078	1
JET-MAIN,#A122.5 (Ref # 92063I)	92063-1101	2
JET-MAIN NO 132.5R (Ref # 92063J)	92063-103	1
MAIN JET NO 135R (Ref # 92063K)	92063-104	1

1984 1100 LTD Shaft PARTS LIST

CARBURETOR PARTS

ITEM NAME	PART NUMBER	QUANTITY
JET-MAIN,#A125 (Ref # 92063P)	92063-1102	1
JET-MAIN,#A130 (Ref # 92063R)	92063-1103	1
JET-MAIN,#A132.5 (Ref # 92063T)	92063-1104	1
JET-MAIN,#A120 (Ref # 92063U)	92063-1106	1
JET-MAIN,#A135 (Ref # 92063W)	92063-1113	1
JET-PILOT,#A37.5 (Ref # 92064)	92064-1036	1
PLUG,PILOT SCREW (Ref # 92066)	92066-1051	1
SCREW,DRAIN (Ref # 92066A)	92066-1064	1
SPRING,PILOT SCREW (Ref # 92081)	16022-016	1
SPRING,DPHRGM VALVE (Ref # 92081A)	92081-1363	1
SCREW PAN HEAD 4X6 (Ref # 220)	220B0406	1
SCREW-PAN-WS-CROS (Ref # 223)	223B0510	1
SCREW-PAN-WS-CROS (Ref # 223A)	223C0516	1