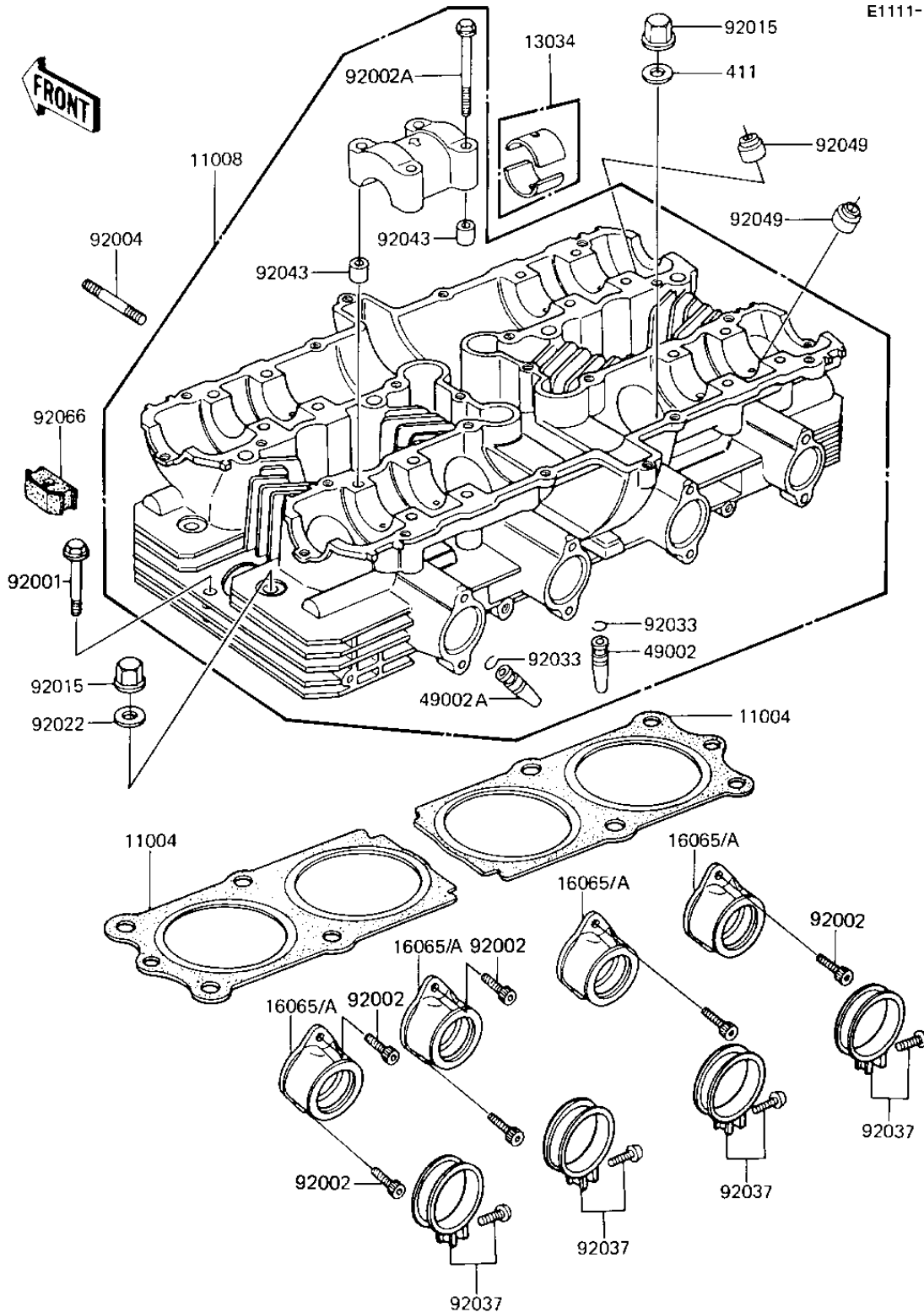


## 1984 1100 LTD Shaft PARTS DIAGRAM

CYLINDER HEAD



## 1984 1100 LTD Shaft PARTS LIST

### CYLINDER HEAD

ITEM NAME	PART NUMBER	QUANTITY
GASKET-HEAD (Ref # 11004)	11004-1119	1
HEAD-COMP-CYLINDER (Ref # 11008)	11008-1118	1
BUSHING,CAMSHAFT (Ref # 13034)	13034-030	1
HOLDER-CARBERTOR (Ref # 16065)	16065-1131	1
GUIDE,INLET VALVE (Ref # 49002)	12013-009	1
GUIDE,EXHAUST VALVE (Ref # 49002A)	49002-1002	1
BOLT,HEX HEAD,6X45 (Ref # 92001)	92003-092	1
BOLT,6X16 (Ref # 92002)	92002-1143	1
BOLT,6X45 (Ref # 92002A)	92002-1300	1
STUD,8X30 (Ref # 92004)	92004-1121	1
NUT,CYLINDER HEAD (Ref # 92015)	92015-076	1
WASHER,10.5X22X1.6 (Ref # 92022)	92022-1005	1
CIRCLIP-VALVE (Ref # 92033)	92036-023	1
CLAMP,ID=53,BLACK (Ref # 92037)	92037-1304	1
PIN-DOWEL (Ref # 92043)	92042-007	1
OIL SEAL,RV37129.5 (Ref # 92049)	92049-016	1
PLUG,CYLNR HD COVER (Ref # 92066)	92066-1106	1
UNAVAILABLE IN PRICE BOOK (Ref # 411)	411B100	1