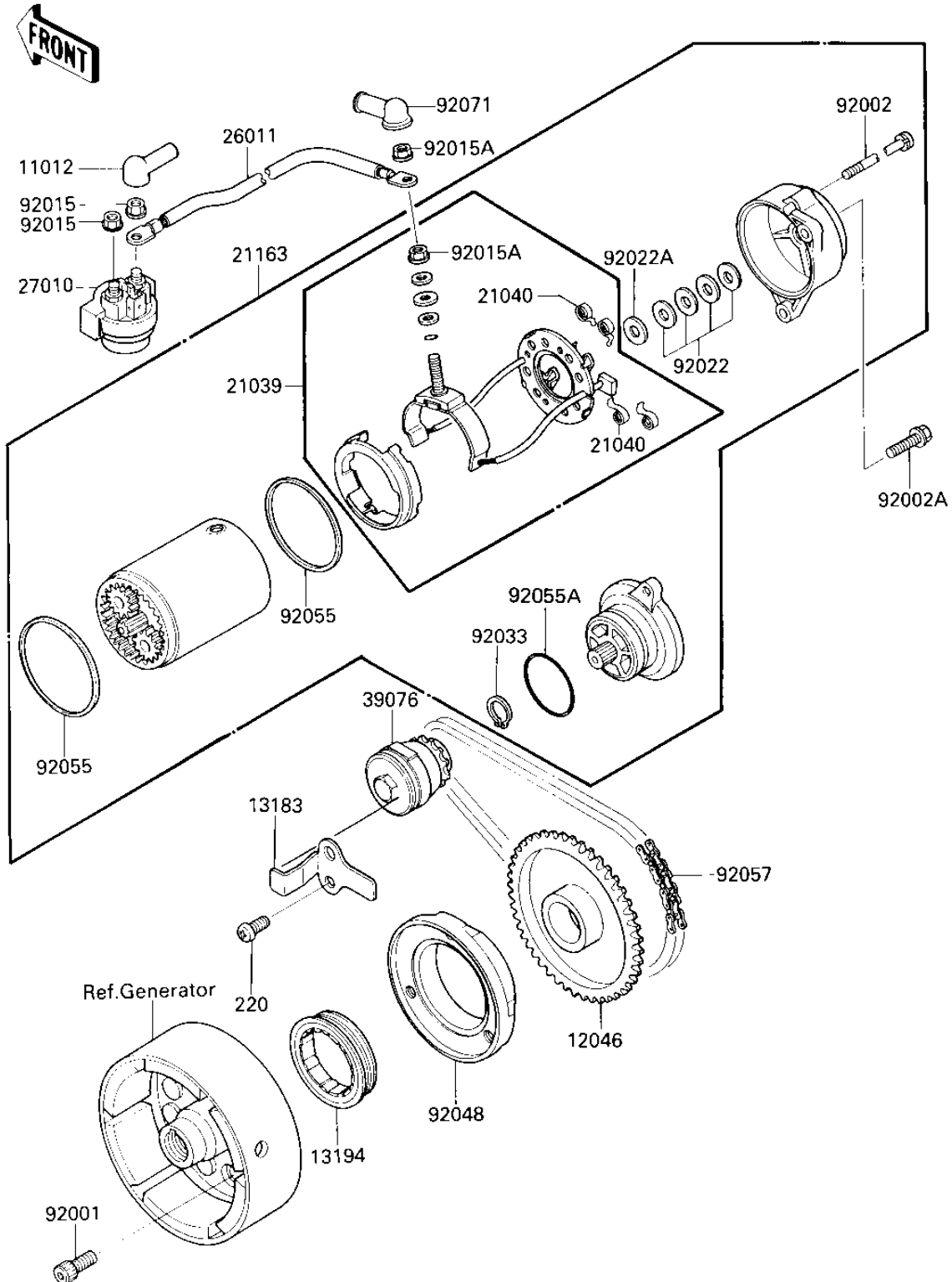


1986 Bayou® 300 PARTS DIAGRAM

STARTER MOTOR/STARTER CLUTCH (E/NO. 0176)

E1840-0073



1986 Bayou® 300 PARTS LIST

STARTER MOTOR/STARTER CLUTCH (E/NO. 0176)

ITEM NAME	PART NUMBER	QUANTITY
CAP,TERMINAL (Ref # 11012)	11012-1354	1
SPROCKET,STARTER (Ref # 12046)	12046-1077	1
PLATE (Ref # 13183)	13183-1002	1
CLUTCH-ONEWAY (Ref # 13194)	13194-1061	1
BRUSH,CARBON (Ref # 21039)	21039-1053	1
SPRING-BRUSH (Ref # 21040)	21040-1003	1
STARTER-ELECTRIC (Ref # 21163)	21163-1115	1
WIRE-LEAD,STATER MOTO (Ref # 26011)	26011-1327	1
SWITCH,STARTER (Ref # 27010)	27010-1314	1
LIMITER,STARTER IDLE (Ref # 39076)	39076-1054	1
BOLT (Ref # 92001)	120P0816	1
BOLT (Ref # 92002)	92002-1474	1
BOLT (Ref # 92002A)	92002-1664	1
NUT,FLANGED,6MM (Ref # 92015)	92015-1367	1
NUT,6MM (Ref # 92015A)	92015-1476	1
WASHER,THRUST,0.2T (Ref # 92022)	21025-011	1
WASHER,THRUST,0.8T (Ref # 92022A)	92022-1132	1
CIRCLIP,13M/M (Ref # 92033)	92033-037	1
OUTER,ONE WAY CLUTCH (Ref # 92048)	92048-1061	1
"0" RING,STARTER MOTR (Ref # 92055)	92055-1086	1
RING-0 (Ref # 92055A)	92055-1313	1
CHAIN STARTER (Ref # 92057)	92057-1196	1
GROMMET,CORD (Ref # 92071)	21017-017	1
SCREW PAN HEAD 6X14 (Ref # 220)	220B0614	1