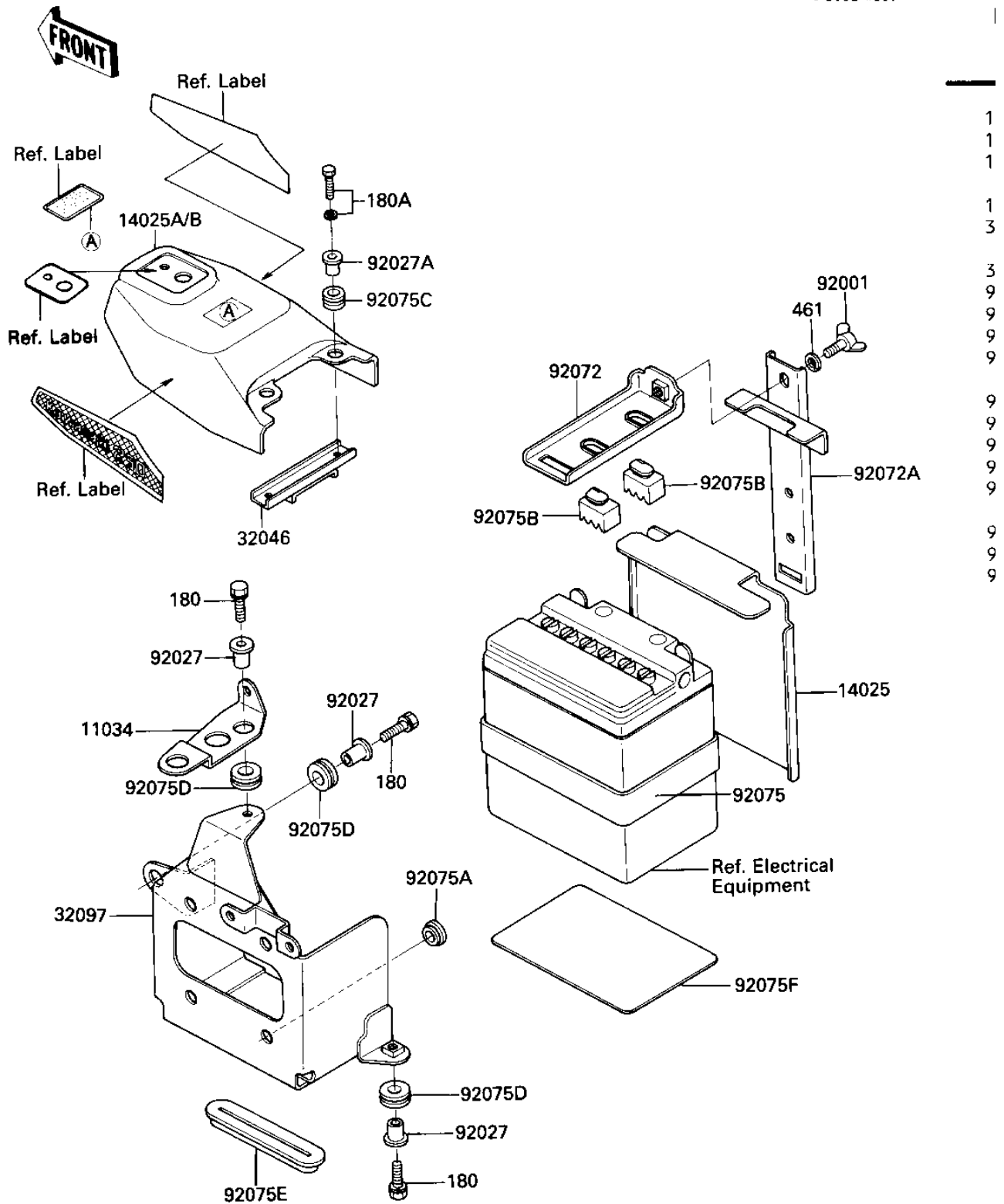


1984 Prairie® 250 PARTS DIAGRAM

BATTERY CASE ('84-'85 C2/C3)

F2132-0117



1984 Prairie® 250 PARTS LIST

BATTERY CASE ('84-'85 C2/C3)

ITEM NAME	PART NUMBER	QUANTITY
BRACKET,BATTERY CASE (Ref # 11034)	11034-4213	1
COVER (Ref # 14025)	14025-4007	1
COVER,FR,BLACK (Ref # 14025A)	14025-4015-6D	1
COVER,FR,RED (Ref # 14025B)	14025-4015-8S	1
BRACKET-SEAT (Ref # 32046)	32046-4012	1
CASE-BATTERY (Ref # 32097)	32097-1104	1
BOLT,CLNR ELEMENT (Ref # 92001)	92003-199	1
COLLAR (Ref # 92027)	92027-1045	1
COLLAR (Ref # 92027A)	92027-194	1
BAND (Ref # 92072)	92072-1159	1
BAND,BATTERY (Ref # 92072A)	92072-1165	1
MAT-BATTERY SIDE (Ref # 92075)	32103-023	1
DAMPER RUBBER (Ref # 92075A)	92075-078	1
DAMPER,SEAT (Ref # 92075B)	92075-1007	1
DAMPER RUBBER (Ref # 92075C)	92075-112	1
DAMPER RUBBER (Ref # 92075D)	92075-277	1
DAMPER RUBBER (Ref # 92075E)	92075-280	1
DAMPER,BATTERY CASE (Ref # 92075F)	92075-4019	1
BOLT-UPSET-WS (Ref # 180)	180B0620	1
BOLT-UPSET-WS,6X25 (Ref # 180A)	180B0625	1
WASHER SPRING 6MM (Ref # 461)	461F0600	1