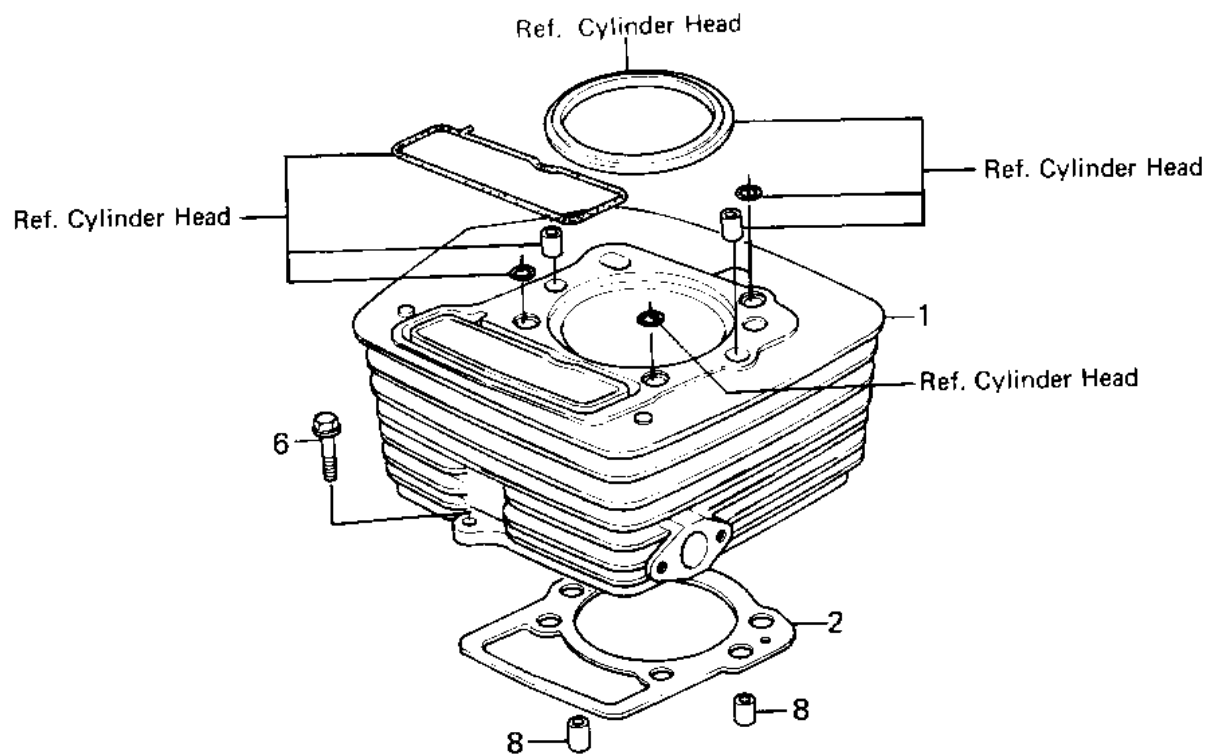
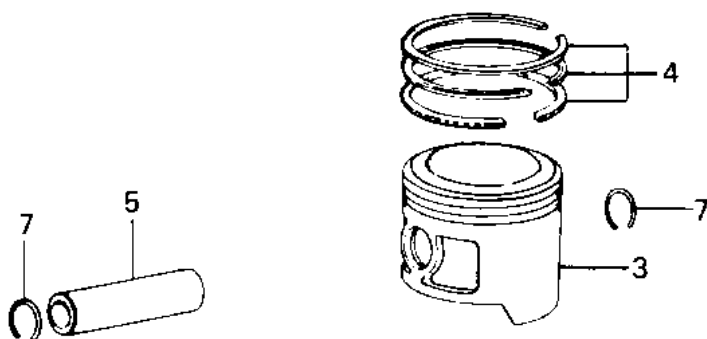


## 1983 Prairie® 250 PARTS DIAGRAM

CYLINDER/PISTON ('83 C1)

E1120-0039



## 1983 Prairie® 250 PARTS LIST

CYLINDER/PISTON ('83 C1)

ITEM NAME	PART NUMBER	QUANTITY
CYLINDER-ENGINE (Ref # 1)	11005-1331	1
GASKET,CYLINDER BASE (Ref # 2)	11009-043	1
PISTON-ENGINE,STD (Ref # 3)	13001-1101	1
PISTON-ENGINE L,O/S 0 (Ref # 3)	13029-1048	1
PISTON-ENGINE LL,O/S (Ref # 3)	13027-1047	1
RING-SET-PISTON (Ref # 4)	13008-1011	1
RING-SET PISTON L,O/S (Ref # 4)	13025-1014	1
RING-SET PISTON LL,O/ (Ref # 4)	13024-1014	1
PIN-PISTON (Ref # 5)	13002-1013	1
BOLT (Ref # 6)	92003-202	1
CIRCLIP,PISTON PIN (Ref # 7)	92036-021	1
PIN,DOWEL,10X8.2X14 (Ref # 8)	92043-1037	1