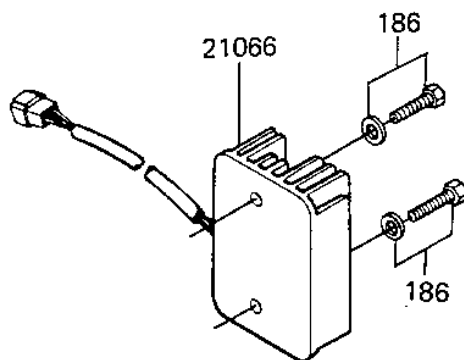
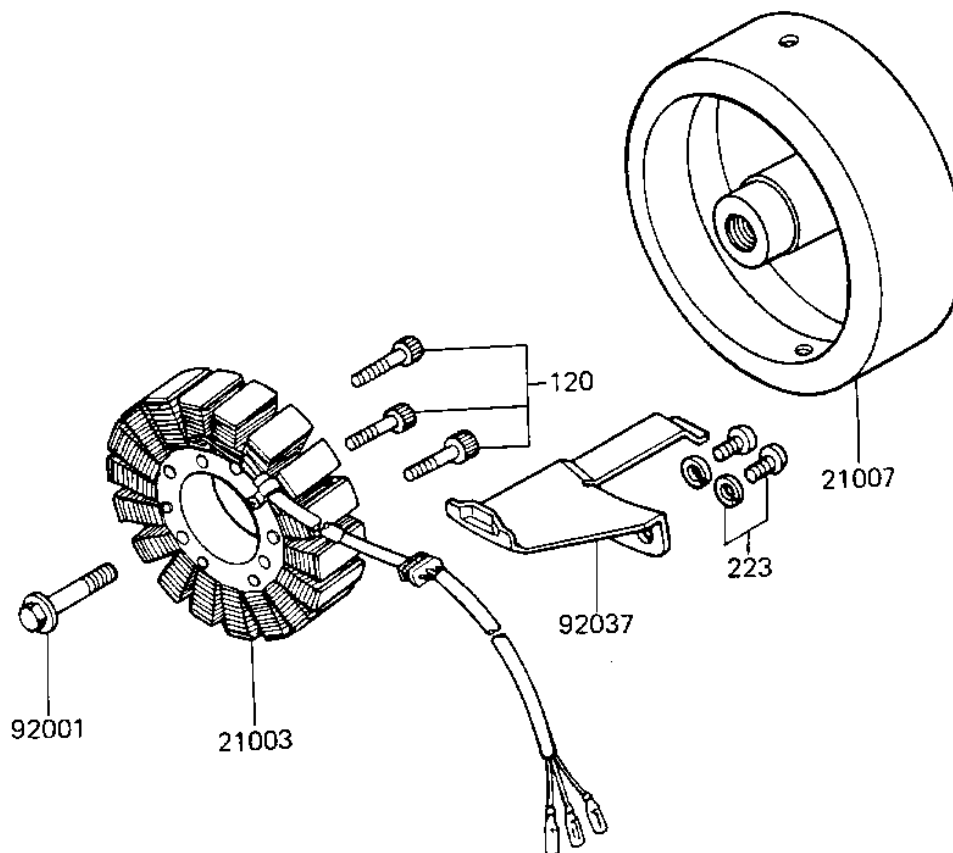


1983 GPz 1100 PARTS DIAGRAM

GENERATOR/REGULATOR

E1810-0009



1983 GPz 1100 PARTS LIST

GENERATOR/REGULATOR

ITEM NAME	PART NUMBER	QUANTITY
STATOR (Ref # 21003)	21003-1040	1
ROTOR,GENERATOR (Ref # 21007)	21007-1076	1
REGULATOR-VOLTAGE (Ref # 21066)	21066-1018	1
BOLT,12X40 (Ref # 92001)	92001-1146	1
CLAMP (Ref # 92037)	92037-1214	1
BOLT,SOCKET,6X30 (Ref # 120)	120P0630	1
BOLT (Ref # 186)	186B0614	1
SCREW-PAN-WS-CROS (Ref # 223)	223B0512	1