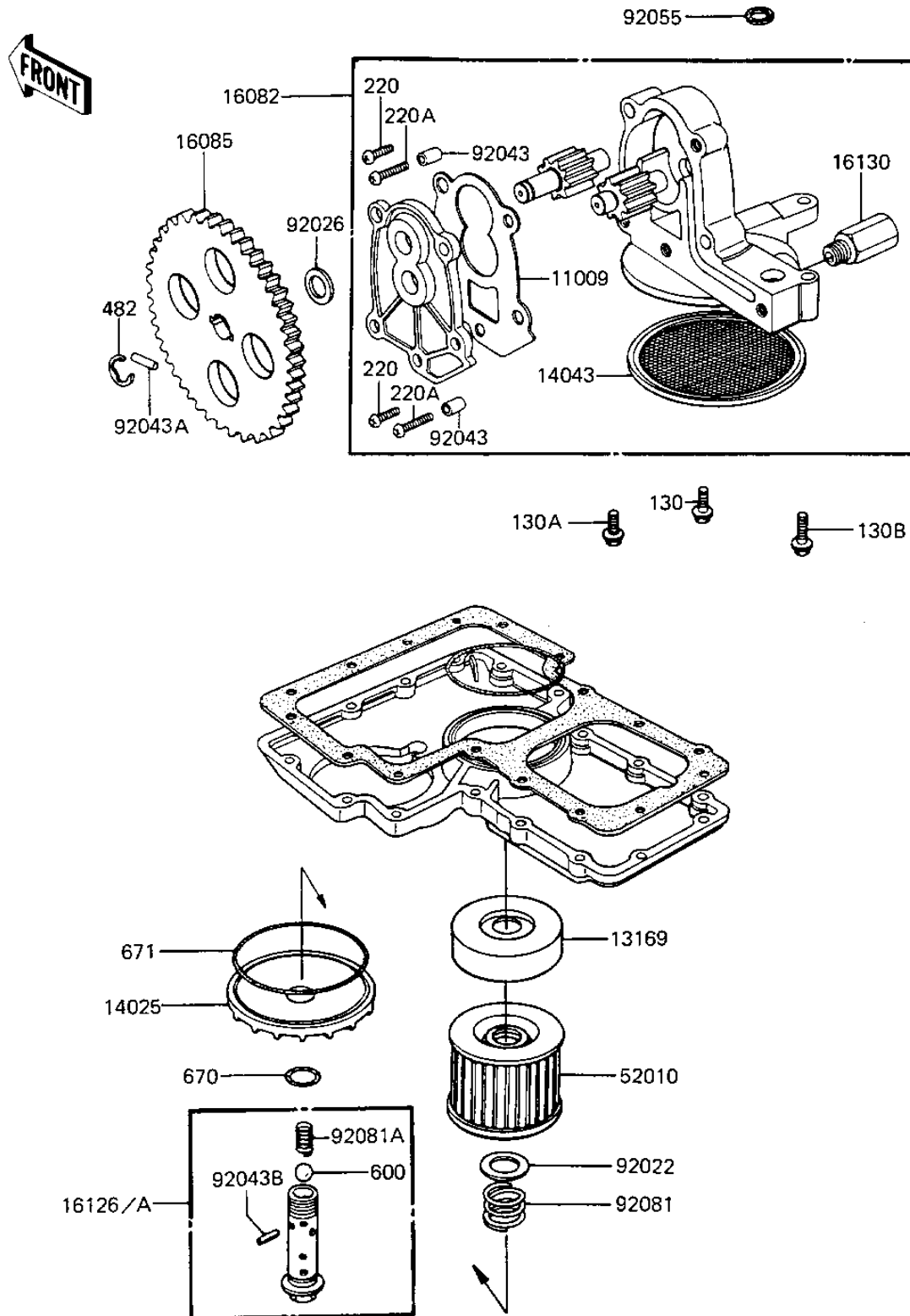


## 1983 GPz 1100 PARTS DIAGRAM

OIL PUMP/OIL FILTER

E1710-0050



## 1983 GPz 1100 PARTS LIST

### OIL PUMP/OIL FILTER

| ITEM NAME                                | PART NUMBER | QUANTITY |
|--|-------------|----------|
| GASKET,OIL PUMP (Ref # 11009)            | 11009-1029  | 1        |
| PLATE,OIL FILTER (Ref # 13169)           | 13169-1313  | 1        |
| COVER,OIL FILTER,F.BL (Ref # 14025)      | 14025-1422  | 1        |
| STRAINER,OIL PUMP (Ref # 14043)          | 16111-004   | 1        |
| PUMP-ASSY-OIL (Ref # 16082)              | 16082-1031  | 1        |
| GEAR,OIL PUMP,49T (Ref # 16085)          | 16085-1038  | 1        |
| VALVE,OIL FILTER (Ref # 16126)           | 16126-1108  | 1        |
| RELEAF VALVE ASSY (Ref # 16130)          | 16130-1001  | 1        |
| FILTER,OIL (Ref # 52010)                 | 16099-003   | 1        |
| WASHER,20.5X30X1.0 (Ref # 92022)         | 92022-1012  | 1        |
| WASHER,LOCK,16MM (Ref # 92026)           | 92026-080   | 1        |
| PIN,DOWEL,8X10 (Ref # 92043)             | 92043-1302  | 1        |
| PIN,GEAR CHANGE DRUM (Ref # 92043A)      | 92042-042   | 1        |
| SPRING PIN (Ref # 92043B)                | 92043-111   | 1        |
| O RING,0.D=18MM (Ref # 92055)            | 92055-048   | 1        |
| SPRING,OIL FILTER (Ref # 92081)          | 92081-1018  | 1        |
| UNAVAILABLE IN PRICE BOOK (Ref # 92081A) | 92081-10    | 1        |
| BOLT,FLANGED,6X25 (Ref # 130)            | 130G0625    | 1        |
| BOLT,FLANGED,6X35 (Ref # 130A)           | 130H0635    | 1        |
| BOLT,FLANGED,6X45 (Ref # 130B)           | 130G0645    | 1        |
| SCREW PAN HEAD 6X18 (Ref # 220)          | 220B0618    | 1        |
| SCREW PAN HEAD 6X28 (Ref # 220A)         | 220B0628    | 1        |
| CIRCLIP 7MM (Ref # 482)                  | 482J7000    | 1        |
| BALL STEEL 3/8" (Ref # 600)              | 600A1200    | 1        |
| "O" RING,16MM (Ref # 670)                | 670B2016    | 1        |
| "O" RING,90MM (Ref # 671)                | 671B2590    | 1        |