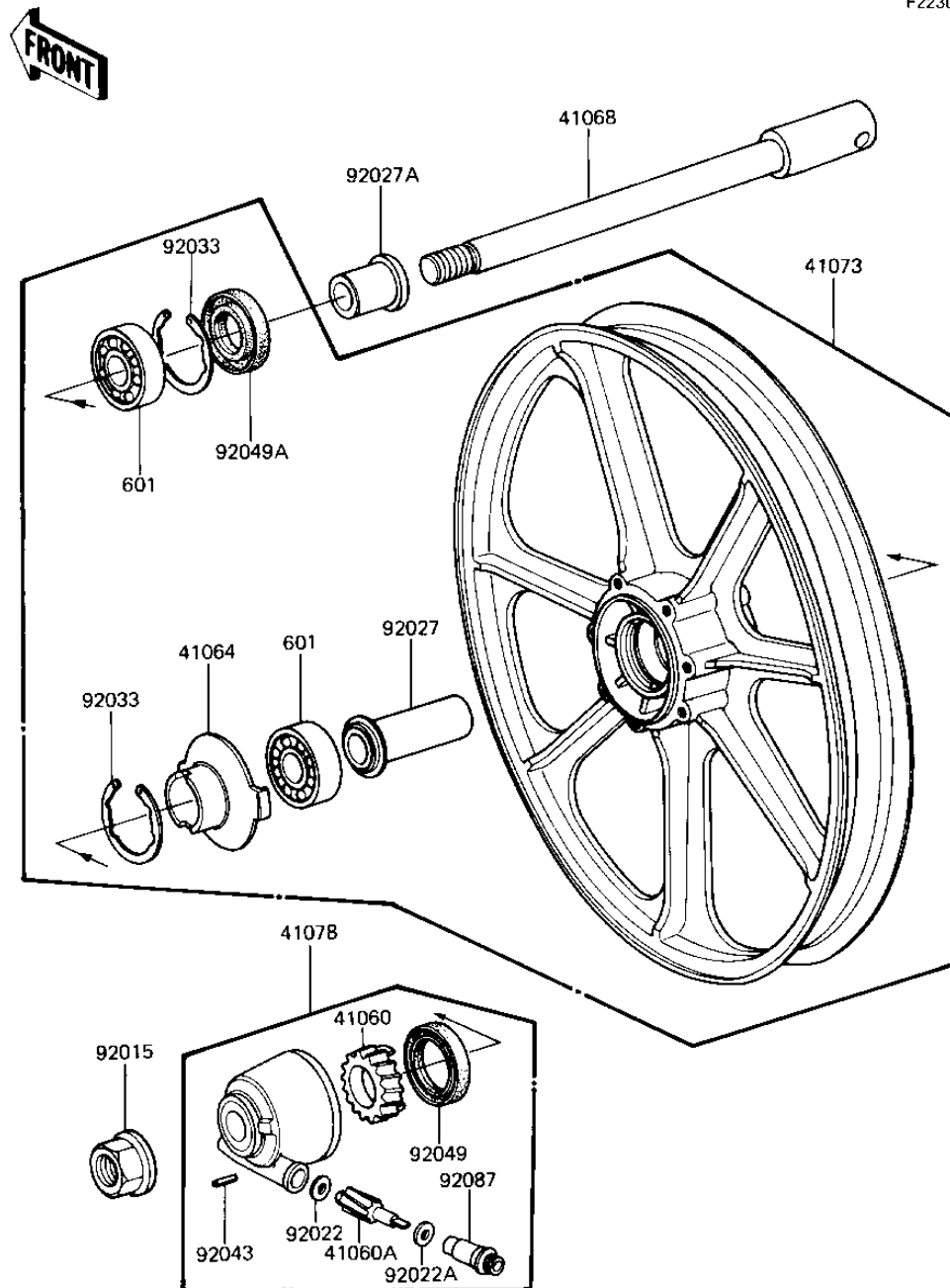


## 1983 1100 LTD Shaft PARTS DIAGRAM

FRONT WHEEL/HUB

F2230-0003



## 1983 1100 LTD Shaft PARTS LIST

FRONT WHEEL/HUB

ITEM NAME	PART NUMBER	QUANTITY
GEAR,SPEEDOMETER (Ref # 41060)	41059-026	1
PINION,SPEEDOMETER,9T (Ref # 41060A)	41060-1016	1
RECEIVER,SPEEDOMETER (Ref # 41064)	41064-1006	1
AXLE,FRONT,L=204M/M (Ref # 41068)	41068-1009	1
WHEEL-ASSY,FR,SOLID,B (Ref # 41073)	41073-1139-21	1
GEAR BOX ASSY, (Ref # 41078)	41078-1013	1
NUT,14MM (Ref # 92015)	92015-1407	1
WASHER THRST SPD PINI (Ref # 92022)	41063-001	2
COLLAR,FR HUB L=55M/M (Ref # 92027)	92027-1223	1
COLLAR,FR AXLE L=30MM (Ref # 92027A)	92027-1225	1
CIRCLIP,42MM (Ref # 92033)	92033-1041	1
PIN,SPRING (Ref # 92043)	41082-001	1
OIL SEAL,BJN30427-C3 (Ref # 92049)	92049-1057	1
OIL SEAL,AG1144AO (Ref # 92049A)	92049-1058	1
BUSHING,METER GEAR (Ref # 92087)	92087-1002	1
BEARING BALL #6302Z (Ref # 601)	601B6302Z	1