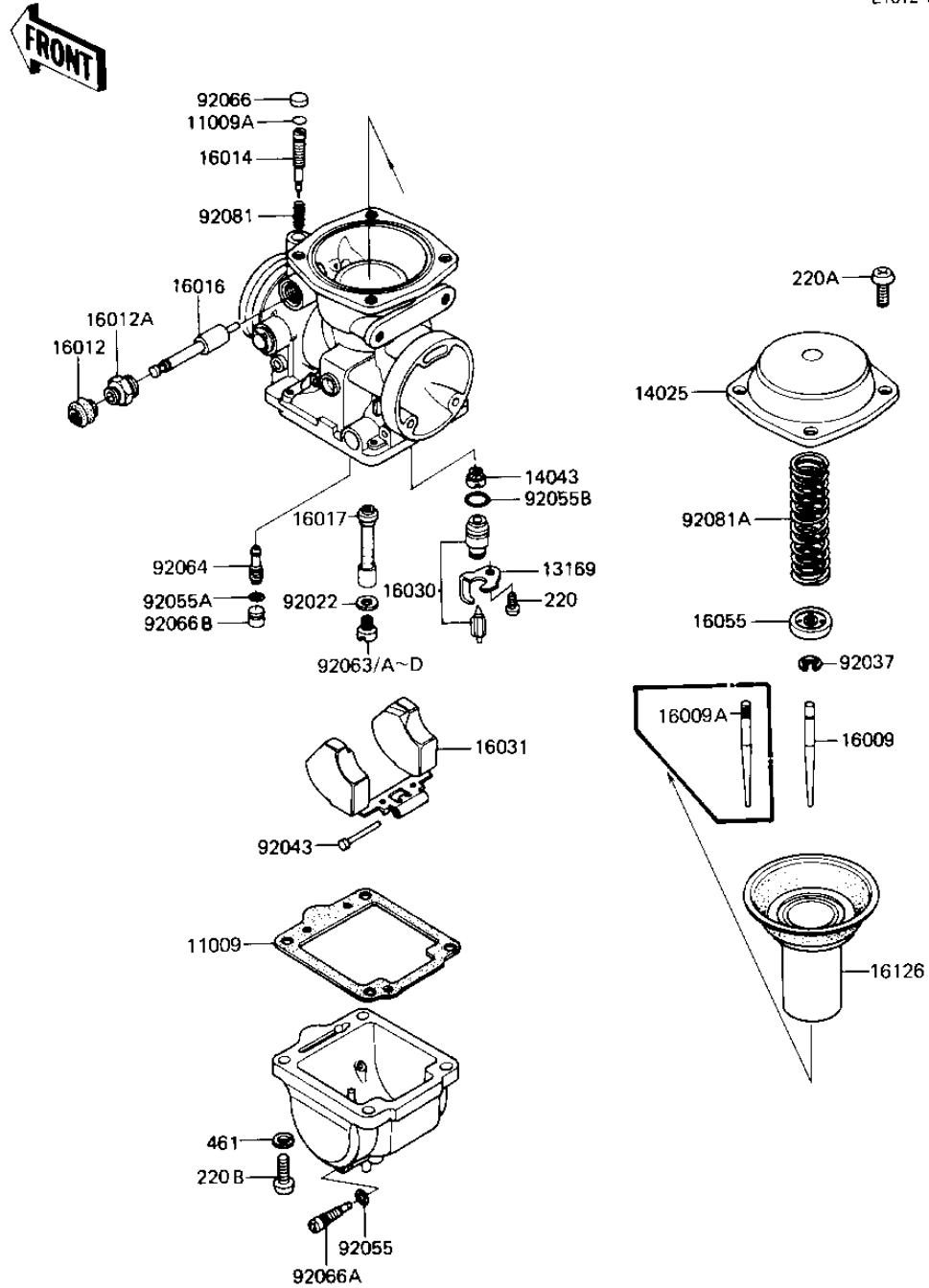


1983 1100 LTD Shaft PARTS DIAGRAM

CARBURETOR PARTS

E1612-0068



1983 1100 LTD Shaft PARTS LIST

CARBURETOR PARTS

ITEM NAME	PART NUMBER	QUANTITY
GASKET,FLOAT CHAMBER (Ref # 11009)	11009-1241	1
"O" RING (Ref # 11009A)	16038-022	1
PLATE (Ref # 13169)	13169-1482	1
COVER (Ref # 14025)	14025-1395	1
FILTER,FLOAT VALVE (Ref # 14043)	14043-1010	1
NEEDLE-JET,5CF59 (Ref # 16009)	16009-1131	1
NEEDLE-JET,5CF58 (Canada) (Ref # 16009A)	16009-1132	1
CAP-STARTER PLUNGER (Ref # 16012)	16012-1010	1
CAP-STARTER PLUNGER (Ref # 16012A)	16012-1011	1
SCREW-PILOT AIR (Ref # 16014)	16014-1014	1
PLUNGER (Ref # 16016)	16016-1019	1
JET-NEEDLE,#AY-2 (Ref # 16017)	16017-1119	1
VALVE-FLOAT (Ref # 16030)	16030-1016	1
FLOAT (Ref # 16031)	16031-1013	1
PLATE,NEEDLE (Ref # 16055)	16055-010	1
VALVE,DIAPHRAGM (Ref # 16126)	16126-1055	1
WASHER MAIN JET (Ref # 92022)	16034-001	1
CIRCLIP (Ref # 92037)	16008-014	1
PIN,FLOAT (Ref # 92043)	16032-008	1
"O" RING (Ref # 92055)	92055-044	1
"O" RING,CHECK VALVE (Ref # 92055A)	92055-1059	1
"O" RING (Ref # 92055B)	92055-1105	1
JET-MAIN,#A122.5 (Ref # 92063)	92063-1101	1
JET-MAIN,#A120 (Ref # 92063A)	92063-1106	1
JET-MAIN,#117.5 (Ref # 92063B)	92063-1107	1
MAIN JET,A115 (Ref # 92063C)	92063-1109	1
JET-MAIN,#A112.5 (Ref # 92063D)	92063-1110	1
JET-PILOT,#A37.5 (Ref # 92064)	92064-1036	1
PLUG,PILOT SCREW (Ref # 92066)	92066-1051	1

1983 1100 LTD Shaft PARTS LIST

CARBURETOR PARTS

ITEM NAME	PART NUMBER	QUANTITY
SCREW,DRAIN (Ref # 92066A)	92066-1064	1
PLUG,PILOT JET (Ref # 92066B)	92066-1087	1
SPRING,PILOT SCREW (Ref # 92081)	16022-016	1
SPRING,DPHRGM VALVE (Ref # 92081A)	92081-1363	1
SCREW PAN HEAD 4X6 (Ref # 220)	220B0406	1
SCREW PAN HEAD 5X8 (Ref # 220A)	220B0508	1
UNAVAILABLE IN PRICE BOOK (Ref # 220B)	214B0516A	1
WASHER SPRING 5MM (Ref # 461)	461F0500	1