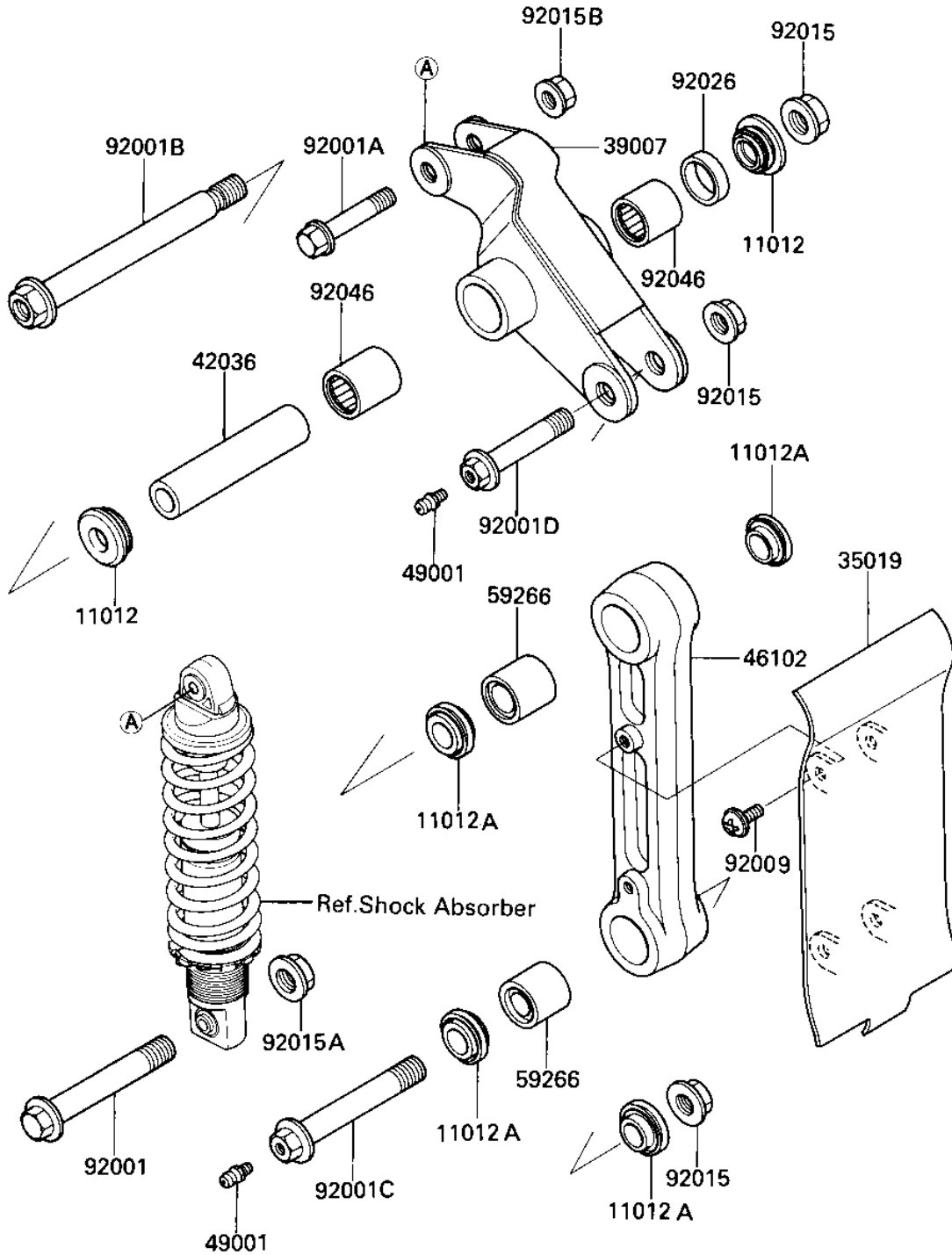


## 1984 KX™500 PARTS DIAGRAM

REAR SUSPENSION ('84 A2)

F2150-0040



## 1984 KX™500 PARTS LIST

REAR SUSPENSION ('84 A2)

ITEM NAME	PART NUMBER	QUANTITY
CAP,SWING ARM (Ref # 11012)	11012-1207	1
CAP,ROD (Ref # 11012A)	11012-1258	1
FLAP,ROD (Ref # 35019)	35019-1112	1
ARM-SUSP,UNI TRAK (Ref # 39007)	39007-1052	1
SLEEVE,SUSPENSION ARM (Ref # 42036)	42036-1119	1
ROD,UNI TRAK,L=197 (Ref # 46102)	46102-1112	1
NIPPLE-GREASE,ROD BOL (Ref # 49001)	49001-1051	1
JOINT-BALL,SB142820E0 (Ref # 59266)	59266-1052	1
BOLT,FLANGED,12X88 (Ref # 92001)	92001-1693	1
BOLT,10X50 (Ref # 92001A)	92001-1913	1
BOLT,14X143 (Ref # 92001B)	92001-1923	1
BOLT,14X82 (Ref # 92001C)	92001-1972	1
BOLT,14X60 (Ref # 92001D)	92001-1973	1
SCREW,6X10 (Ref # 92009)	92009-1286	1
NUT,14MM (Ref # 92015)	92015-1407	1
NUT-12MM (Ref # 92015A)	92015-1156	1
NUT,10MM (Ref # 92015B)	92015-1415	1
SPACER,SUSPENSION ARM (Ref # 92026)	92026-1203	1
BRG,NEEDLE,HMK2030 (Ref # 92046)	92046-1031	1