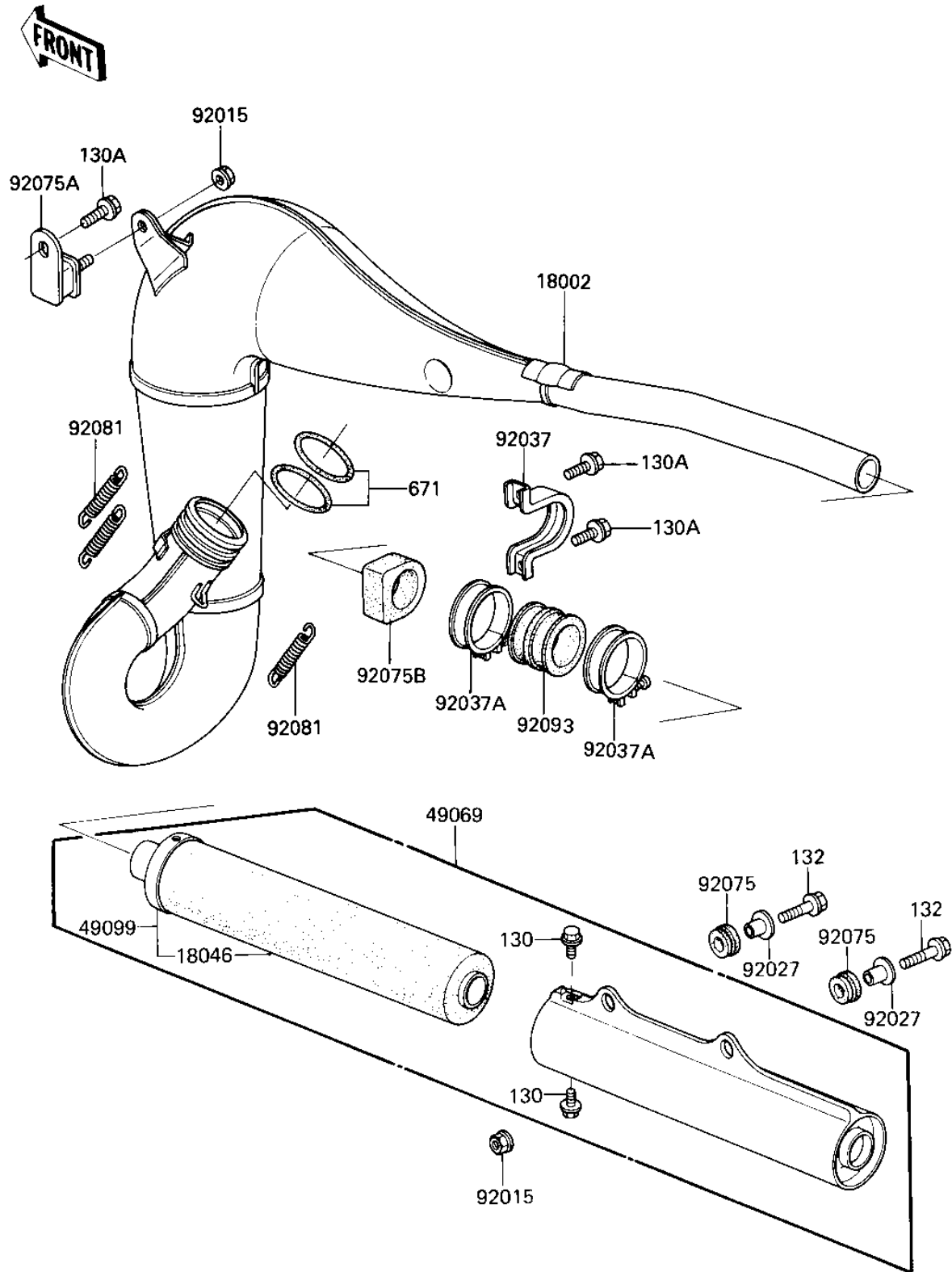


## 1984 KX™500 PARTS DIAGRAM

MUFFLER ('84 A2)

E1140-0187



## 1984 KX™500 PARTS LIST

MUFFLER ('84 A2)

ITEM NAME	PART NUMBER	QUANTITY
BODY-COMP-MUFFLER (Ref # 18002)	18002-1427	1
WOOL,MUFFLER BAFFLE P (Ref # 18046)	18046-1017	1
MUFFLER-ASSY (Ref # 49069)	49069-1069	1
BAFFLE-PIPE MUFFLER (Ref # 49009)	49099-1201	1
NUT-6MM (Ref # 92015)	92015-1078	1
COLLAR (Ref # 92027)	92027-194	1
CLAMP,MUFFLER (Ref # 92037)	92037-1494	1
CLAMP,MUFFLER (Ref # 92037A)	92037-177	1
DAMPER, HEAD LMP FITT (Ref # 92075)	92075-1123	1
DAMPER,MUFFLER (Ref # 92075A)	92075-1891	1
DAMPER,MUFFLER (Ref # 92075B)	92075-1588	1
SPRING-CONNECTOR (Ref # 92081)	18071-003	1
DUST SHIELD,MUFFLER (Ref # 92093)	92093-1014	1
BOLT-FLANGED (Ref # 130)	130G0508	1
BOLT,FLANGED,6X12 (Ref # 130A)	130G0612	1
BOLT-FLANGED-SMALL (Ref # 132)	132G0625	1
O RING,50MM (Ref # 671)	671E2550	1