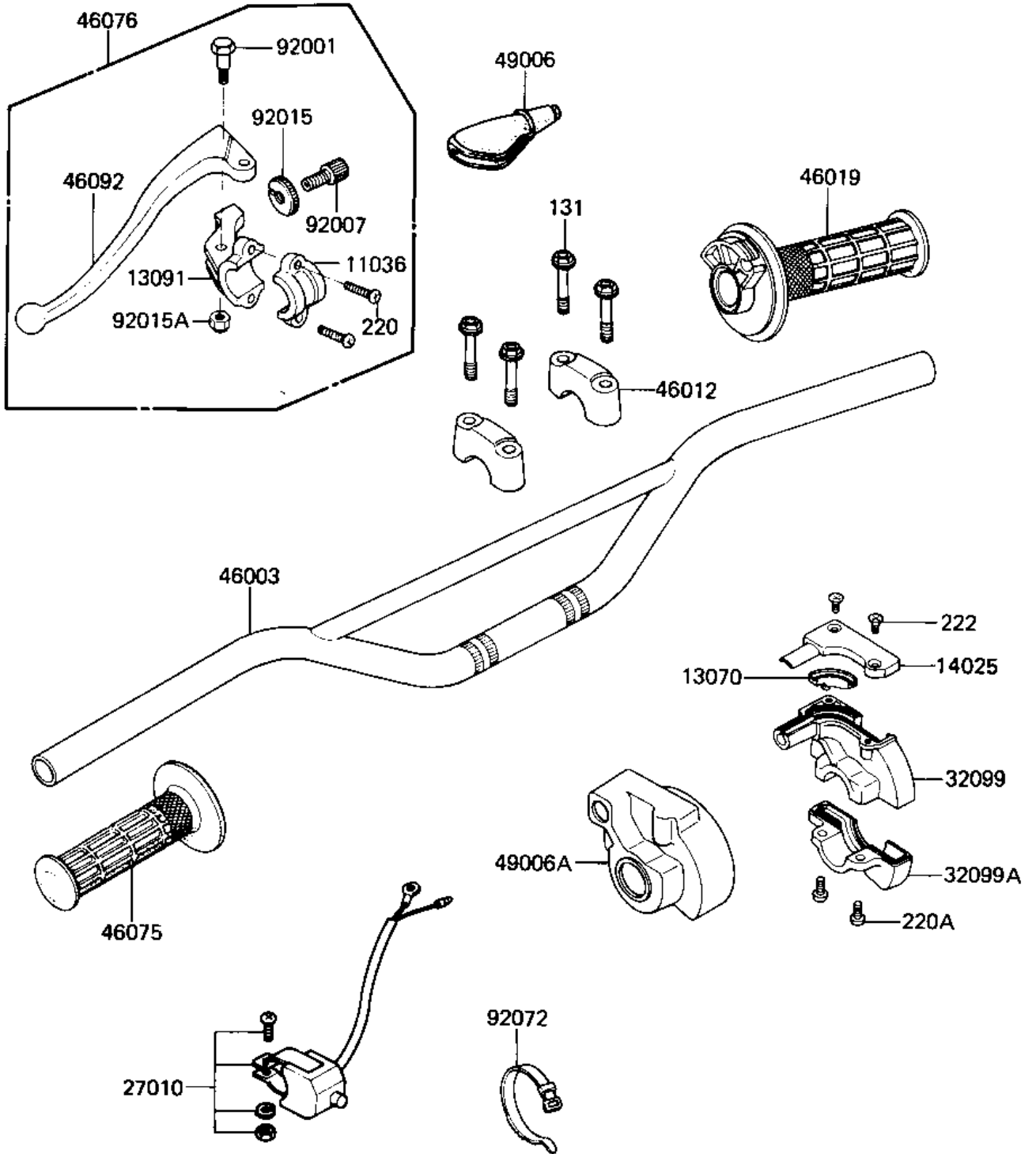


1983 KX™500 PARTS DIAGRAM

HANDLEBAR ('83 A1)

F2310-0204



1983 KX™500 PARTS LIST

HANDLEBAR ('83 A1)

ITEM NAME	PART NUMBER	QUANTITY
BRACKET-A (Ref # 11036)	11036-1297	1
GUIDE,THROTTLE (Ref # 13070)	13070-1074	1
HOLDER,CLUTCH LEVER (Ref # 13091)	13091-1131	1
COVER,THROTTLE CASE U (Ref # 14025)	14025-1646	1
SWITCH,ASSY,ENG STOP (Ref # 27010)	27010-1018	1
CASE,THROTTLE UPP (Ref # 32099)	32099-1036	1
CASE,THROTTLE LWR (Ref # 32099A)	32099-1044	1
HANDLE (Ref # 46003)	46003-1119	1
HOLDER-HANDLEBAR (Ref # 46012)	46012-008	1
GRIP-ASSY,THROTTLE (Ref # 46019)	46019-1027	1
GRIP,LH (Ref # 46075)	46075-1024	1
LEVER-ASSY-GRIP (Ref # 46076)	46076-1118	1
LEVER-GRIP,CLUTCH (Ref # 46092)	46092-1110	1
BOOTS,LEVER HOLDER (Ref # 49006)	49006-1017	1
BOOT,DUST (Ref # 49006A)	49006-1067	1
BOLT,HEX HEAD,6MM (Ref # 92001)	92001-140	1
SCREW,CABLE ADJUST (Ref # 92007)	46055-010	1
NUT,CABLE ADJUST LOCK (Ref # 92015)	46056-006	1
NUT (Ref # 92015A)	92019-008	1
BAND,SHORT (Ref # 92072)	92072-030	1
BOLT-FLANGED,8X40 (Ref # 131)	131P0840	1
SCREW-PAN-CROS (Ref # 220)	220B0514	1
UNAVAILABLE IN PRICE BOOK (Ref # 220A)	214B0516A	1
SCREW OVL CNTSNK 4X12 (Ref # 222)	222E0412	1