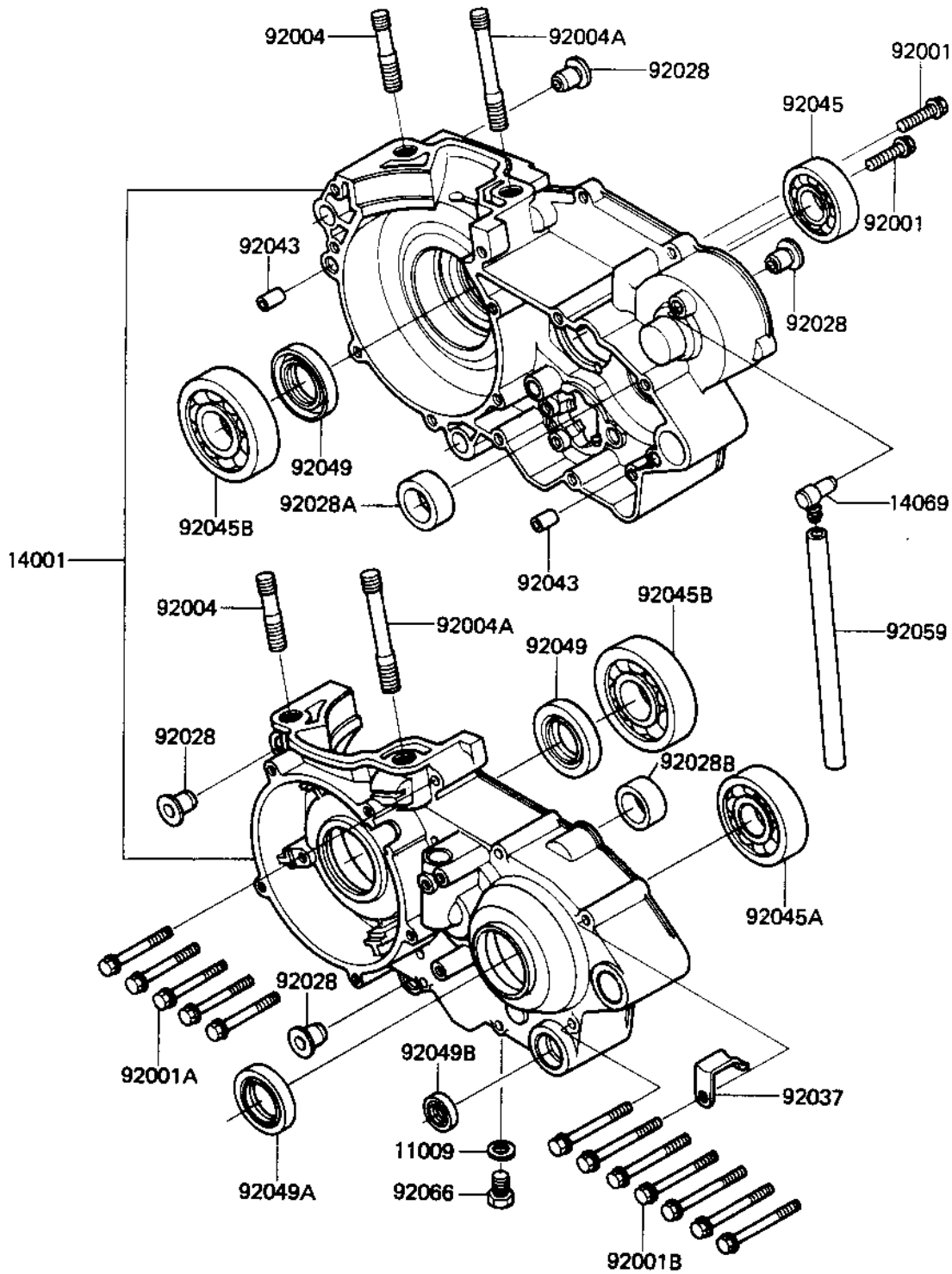


## 1983 KX™500 PARTS DIAGRAM

CRANKCASE ('83 A1)

E1411-0075



## 1983 KX™500 PARTS LIST

CRANKCASE ('83 A1)

ITEM NAME	PART NUMBER	QUANTITY
GASKET CHECK VALVE (Ref # 11009)	92065-058	1
SET-CRANKCASE (Ref # 14001)	14001-5127	1
BREATHER (Ref # 14069)	14069-003	1
BOLT,CLUTCH SPR FITT (Ref # 92001)	92001-1066	1
BOLT-FLANGED-SMALL (Ref # 92001A)	132G0650	1
BOLT-FLANGED-SMALL (Ref # 92001B)	132G0660	1
STUD,10X35 (Ref # 92004)	92004-1051	1
STUD,10X67 (Ref # 92004A)	92004-1052	1
BUSHING,CRANKCASE (Ref # 92028)	92028-1133	1
BUSHING (Ref # 92028A)	92028-131	1
BUSHING (Ref # 92028B)	92028-132	1
CLAMP,HARNESS (Ref # 92037)	92037-1318	1
PIN-DOWEL (Ref # 92043)	92042-007	1
BEARING,BALL (Ref # 92045)	92045-1006	1
BEARING,BALL,#6305 (Ref # 92045A)	92045-1011	1
BEARING,B,6306SH2-9TC (Ref # 92045B)	92045-1027	1
OIL SEAL,TB30508 (Ref # 92049)	92050-057	1
SEAL-OIL,TC32457 (Ref # 92049A)	92049-1159	1
OIL SEAL,TB13225.5 (Ref # 92049B)	92051-005	1
PIPE-BREATHER (Ref # 92059)	92059-061	1
PLUG OIL DRAIN (Ref # 92066)	92067-001	1