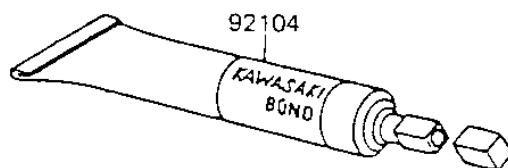
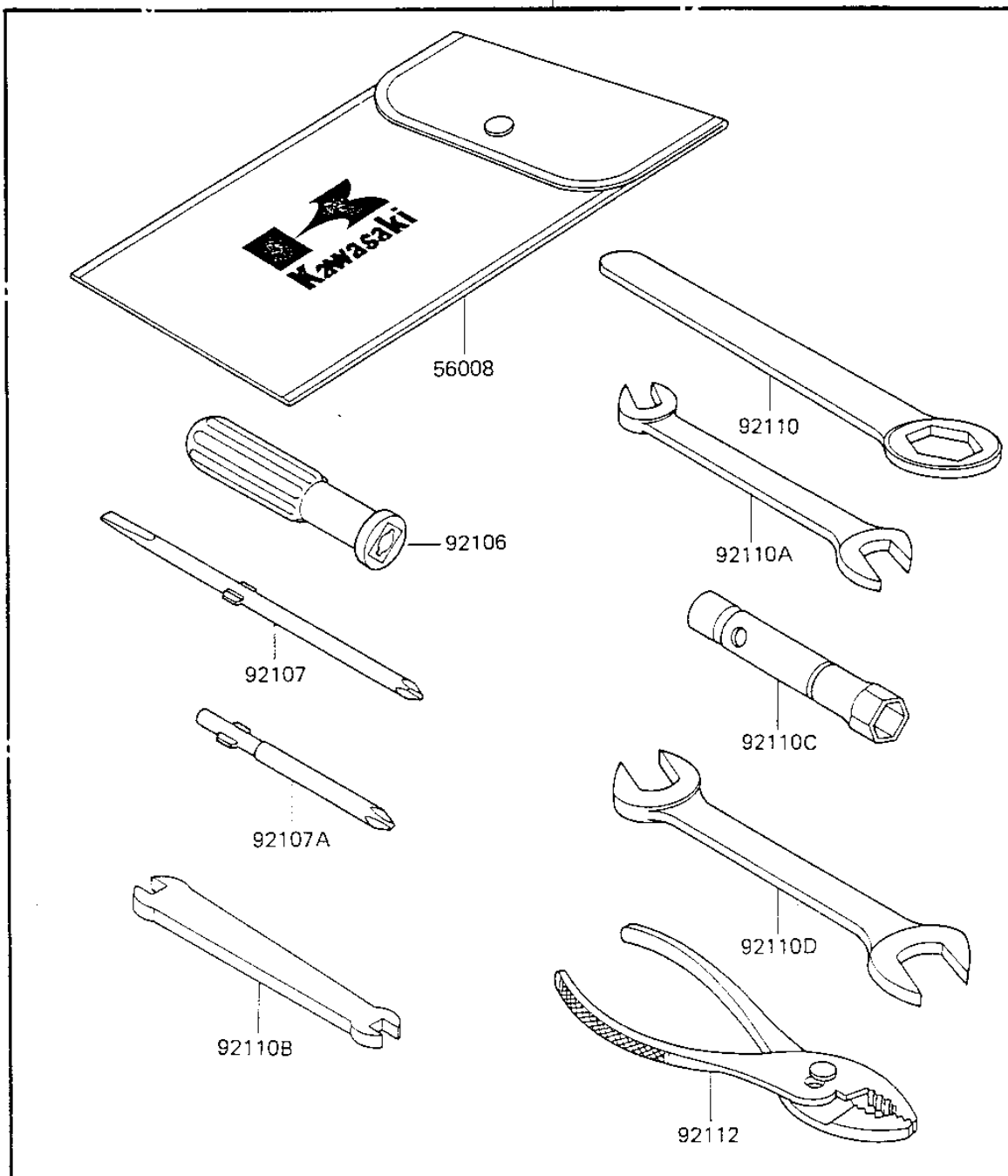


1983 KL250 PARTS DIAGRAM

OWNER TOOLS

56007

F2810-0141



1983 KL250 PARTS LIST

OWNER TOOLS

ITEM NAME	PART NUMBER	QUANTITY
TOOLKIT (Ref # 56007)	56007-1280	1
BAG,TOOLKIT (Ref # 56008)	56008-1019	1
LIQUID GASKET (Ref # 92104)	92104-002	1
GRIP,SCREW DRIVER (Ref # 92106)	92106-1001	1
TOOL-DRIVER (Ref # 92107)	92107-1052	1
SCREW DRIVER #3 PHLIP (Ref # 92107A)	92107-005	1
TOOL-WRENCH,BOX END,2 (Ref # 92110)	92110-1148	1
TOOL-WRENCH,OPEN END (Ref # 92110A)	92110-1038	1
TOOL-WRENCH,SPROK,5.1 (Ref # 92110B)	92110-1044	1
WRENCH,SPARK PLUG (Ref # 92110C)	92108-008	1
TOOL-WRENCH,OPEN END, (Ref # 92110D)	92110-1153	1
PLIERS,160MM (Ref # 92112)	92112-003	1