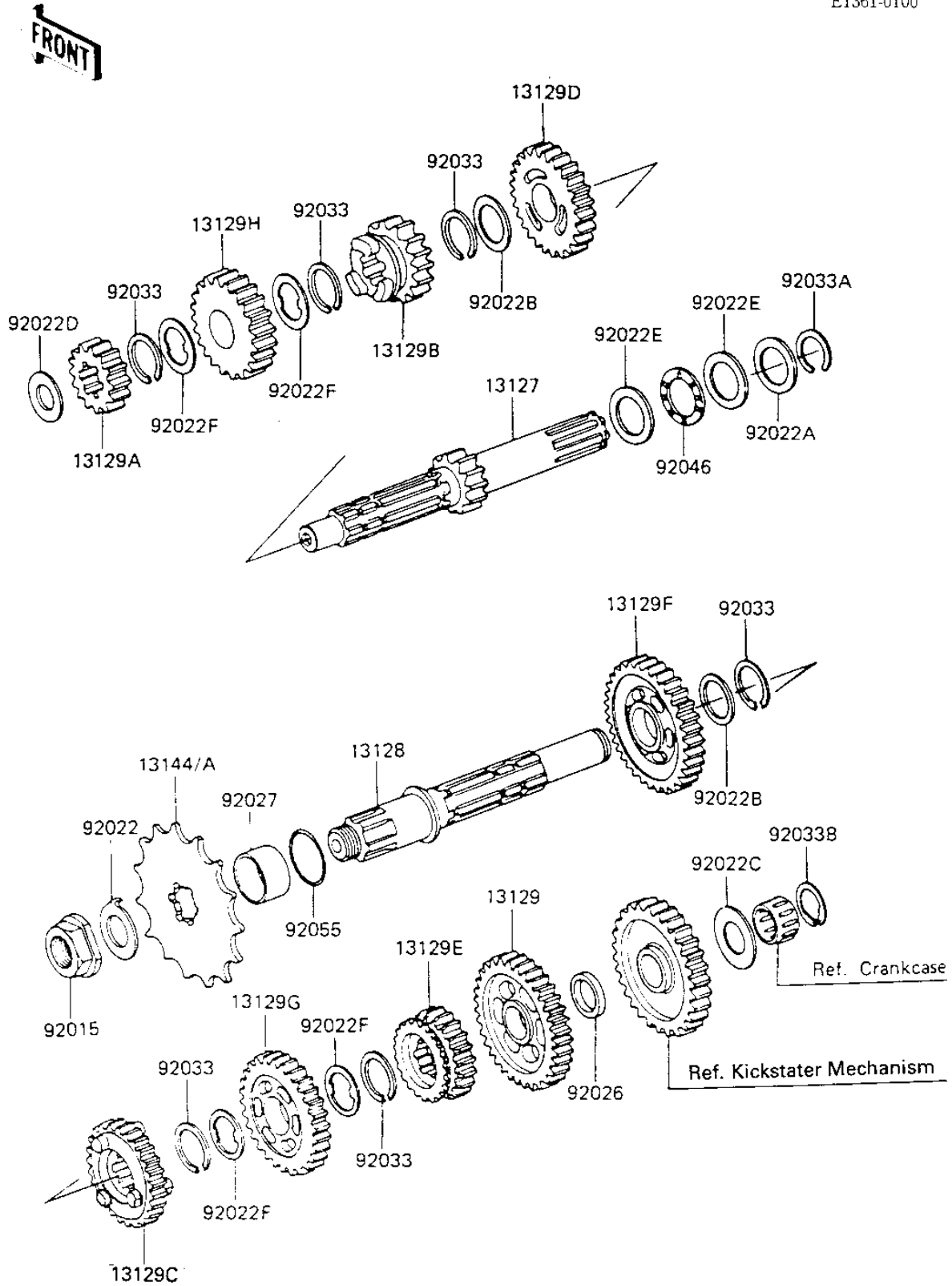


1983 KL250 PARTS DIAGRAM

TRANSMISSION

E1361-0100



1983 KL250 PARTS LIST

TRANSMISSION

ITEM NAME	PART NUMBER	QUANTITY
SHAFT-TRANSMISSION IN (Ref # 13127)	13127-1042	1
SHAFT,OUTPUT (Ref # 13128)	13128-1007	1
LOW GEAR,OUTPUT SHAFT (Ref # 13129)	13129-058	1
2ND GEAR,DRIVE SHAFT (Ref # 13129A)	13129-1022	1
GEAR,INPUT,3RD,20T (Ref # 13129B)	13129-1284	1
GEAR,OUTPUT 4TH,21T (Ref # 13129C)	13129-1285	1
GEAR,INPUT,TOP,24T (Ref # 13129D)	13129-1318	1
GEAR,OUTPUT,TOP,20T (Ref # 13129E)	13129-1323	1
2ND GEAR,OUTPUT 26T (Ref # 13129F)	13131-044	1
3RD GEAR,OUTPUT SHAFT (Ref # 13129G)	13133-044	1
4TH GEAR,DRIVE SHAFT (Ref # 13129H)	13134-026	1
ENGINE SPROCKET,14T (Ref # 13144)	13144-1005	1
ENGINE SPROCKET,13T (Ref # 13144A)	13144-1027	1
NUT,LOCK,16M/M (Ref # 92015)	92015-1013	1
WASHER,LOCK (Ref # 92022)	92022-1017	1
WASHER THRUST (Ref # 92022A)	92022-112	1
WASHER-PLAIN (Ref # 92022B)	92022-198	1
WASHER,PLAIN (Ref # 92022C)	92022-270	1
WASHER,THRUST,15MM (Ref # 92022D)	92022-279	1
WASHER,PLAIN (Ref # 92022E)	92022-314	1
WASHER-LOCK (Ref # 92022F)	92024-039	1
SPACER (Ref # 92026)	92026-114	1
COLLAR,ENGINE SPROCKT (Ref # 92027)	92027-287	1
CIRCLIP,25MM (Ref # 92033)	92033-025	1
CIRCLIP,18MM (Ref # 92033A)	92033-029	1
CIRCLIP,16MM (Ref # 92033B)	92033-032	1
BRG,NEEDLE,AXK1104 (Ref # 92046)	92046-052	1
"O" RING (Ref # 92055)	92055-022	1