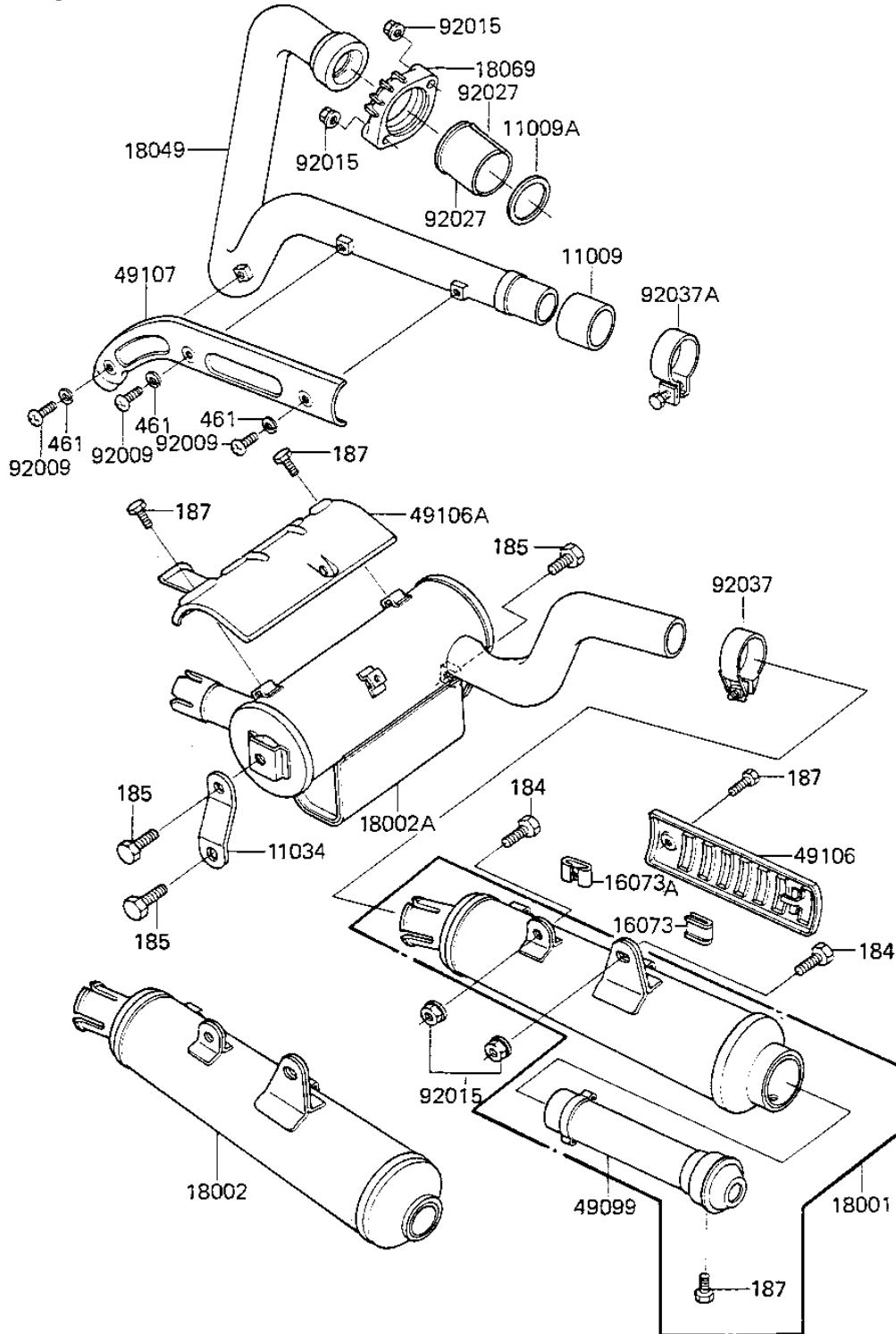


1983 KL250 PARTS DIAGRAM

MUFFLER

E1140-0140



1983 KL250 PARTS LIST

MUFFLER

ITEM NAME	PART NUMBER	QUANTITY
GASKET,MUFFLER CONNEC (Ref # 11009)	11060-1051	1
GASKET,EXHAUST PIPE H (Ref # 11009A)	11009-1866	1
BRACKET, (Ref # 11034)	11034-1734	1
INSULATOR (Ref # 16073)	18065-007	1
INSULATOR,HEAT (Ref # 16073A)	18065-010	1
MUFFLER (Ref # 18001)	18001-1372	1
BODY-COMP-MUFFLER (Canada) (Ref # 18002)	18002-1240	1
BODY-COMP-MUFFLER (Ref # 18002A)	18002-1276	1
PIPE-EXHAUST (Ref # 18049)	18049-1184	1
HOLDER EXHAUST PIPE (Ref # 18069)	18069-1014	1
BAFFLE-PIPE MUFFLER (Ref # 49099)	49099-1118	1
COVER-MUFFLER (Ref # 49106)	49106-1005	1
COVER-MUFFLER (Canada) (Ref # 49106A)	49106-1006	1
COVER-EXHAUST PIPE (Ref # 49107)	49107-1005	1
SCREW (Ref # 92009)	92009-1054	1
NUT-8MM (Ref # 92015)	92015-1143	1
COLLAR,EXHAUST PIPE (Ref # 92027)	92027-264	1
CLAMP,PIPE,35MM (Ref # 92037)	92037-1223	1
CLAMP,MUFFLER,37MM (Ref # 92037A)	92037-1243	1
BOLT-UPSET-WP-SMALL (Ref # 184)	184G0820	1
BOLT-UPSET-WSP-SMALL (Canada) (Ref # 185)	185G0816	1
BOLT 6X12 (Ref # 187)	187B0612	1
WASHER SPRING 6MM (Ref # 461)	461F0600	1