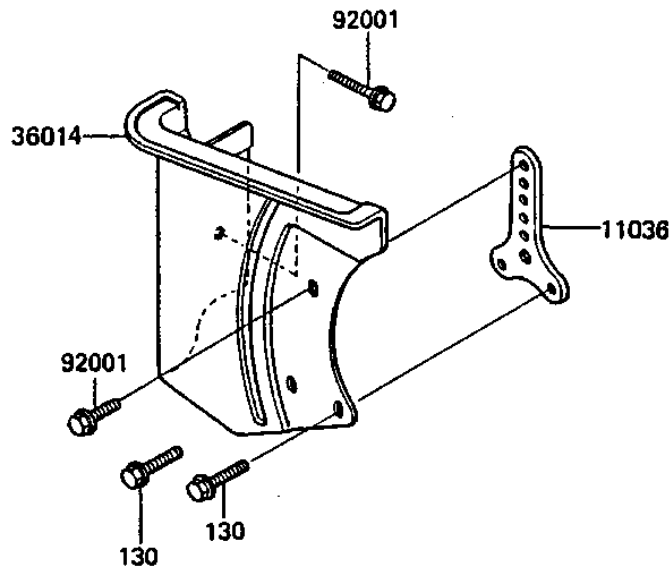
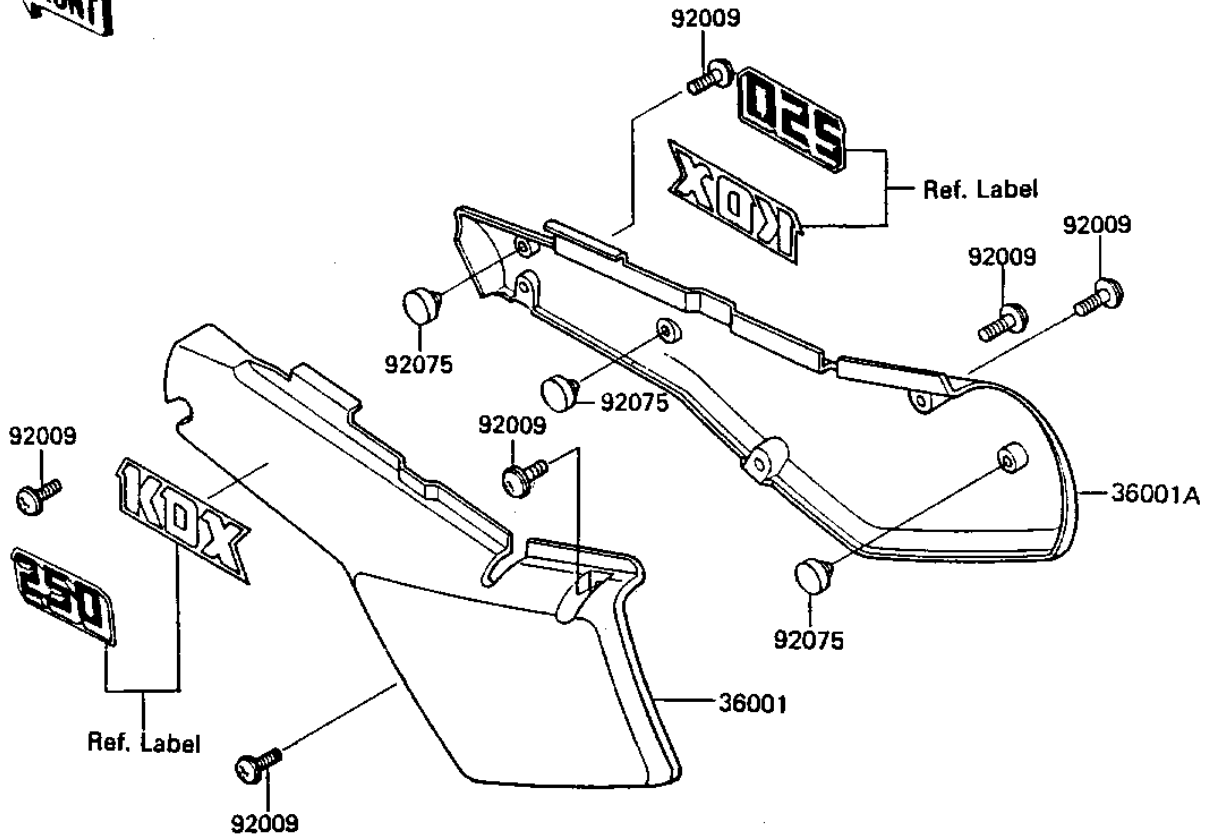


1983 KDX™250 PARTS DIAGRAM

SIDE COVERS/CHAIN COVER

F2610-0195



1983 KDX™250 PARTS LIST

SIDE COVERS/CHAIN COVER

ITEM NAME	PART NUMBER	QUANTITY
BRACKET-A,CHAIN CASE (Ref # 11036)	11036-1743	1
COVER-SIDE,LH,L.GREEN (Ref # 36001)	36001-1177-AC	1
COVER-SIDE,RH,L.GREEN (Ref # 36001A)	36001-1178-AC	1
CASE-CHAIN (Ref # 36014)	36014-1117	1
BOLT,6X16 (Ref # 92001)	92002-1136	1
SCREW,6X10 (Ref # 92009)	92009-1286	1
DAMPER,SIDE COVER (Ref # 92075)	92075-1598	1
BOLT,FLANGED,6X45 (Ref # 130)	130G0645	1