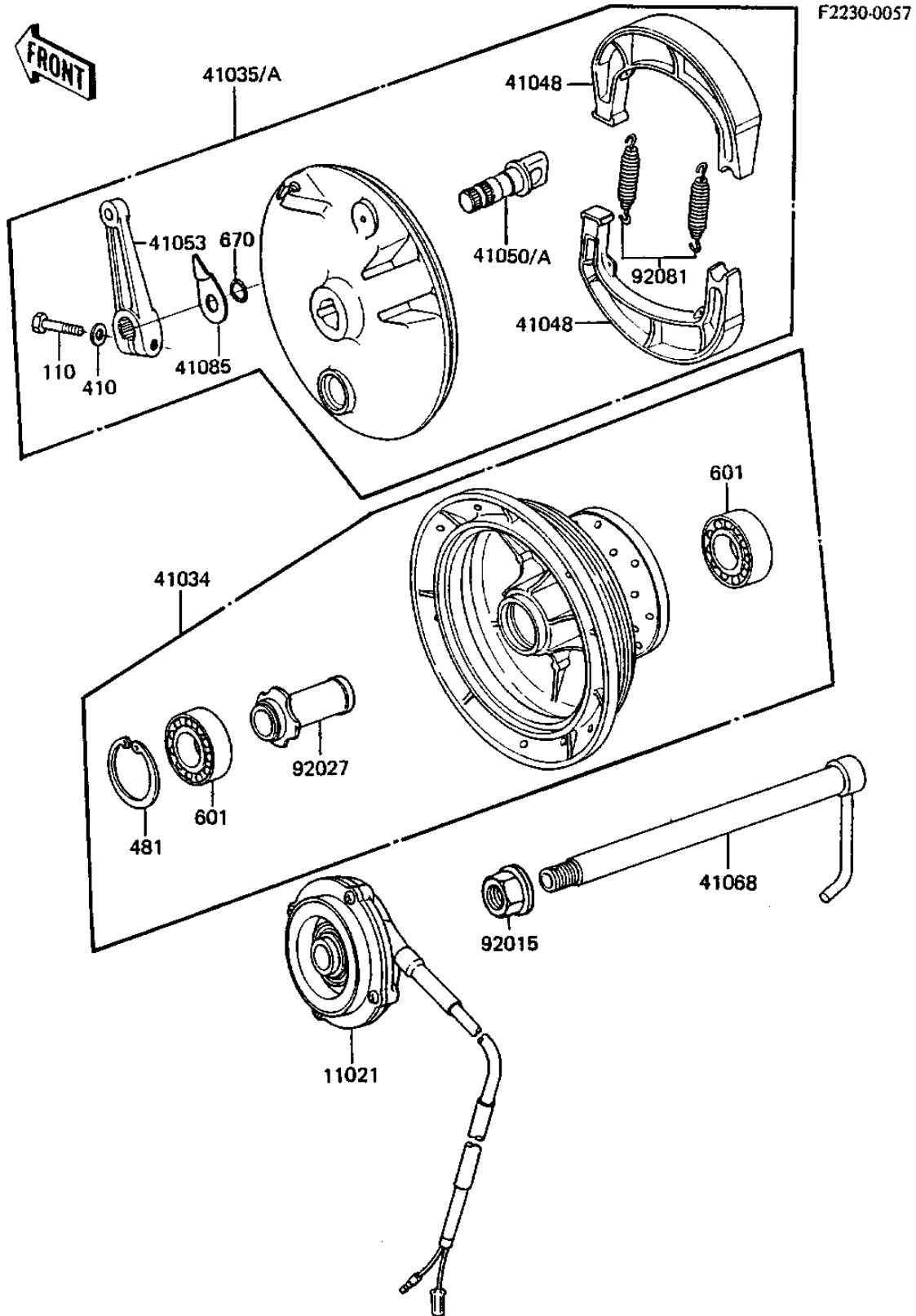


1983 KDX™250 PARTS DIAGRAM

FRONT HUB/BRAKE



1983 KDX™250 PARTS LIST

FRONT HUB/BRAKE

ITEM NAME	PART NUMBER	QUANTITY
CASE-ASSY,DISTANCE SE (Ref # 11021)	11021-1064	1
DRUM-ASSY,FR (Ref # 41034)	41034-1067	1
PANEL-ASSY-BRAKE,FR (Ref # 41035)	41035-1100	1
SHOE-BRAKE (Ref # 41048)	41048-1068	1
CAM-BRAKE (Ref # 41050)	41050-1025	1
LEVER,FRONT BRAKE CAM (Ref # 41053)	41053-1003	1
AXLE,FR (Ref # 41068)	41068-1073	1
NUT,14MM (Ref # 92015)	92015-1407	1
COLLAR,L=54.5 (Ref # 92027)	92027-1458	1
SPRING-BRAKE SHOE (Ref # 92081)	42020-004	1
BOLT-UPSET (Ref # 110)	112G0622	1
WASHER PLAIN 6MM (Ref # 410)	410B0600	1
CIRCLIP,35MM (Ref # 481)	481J3500	1
"O" RING,15MM (Ref # 601)	670B2015	2