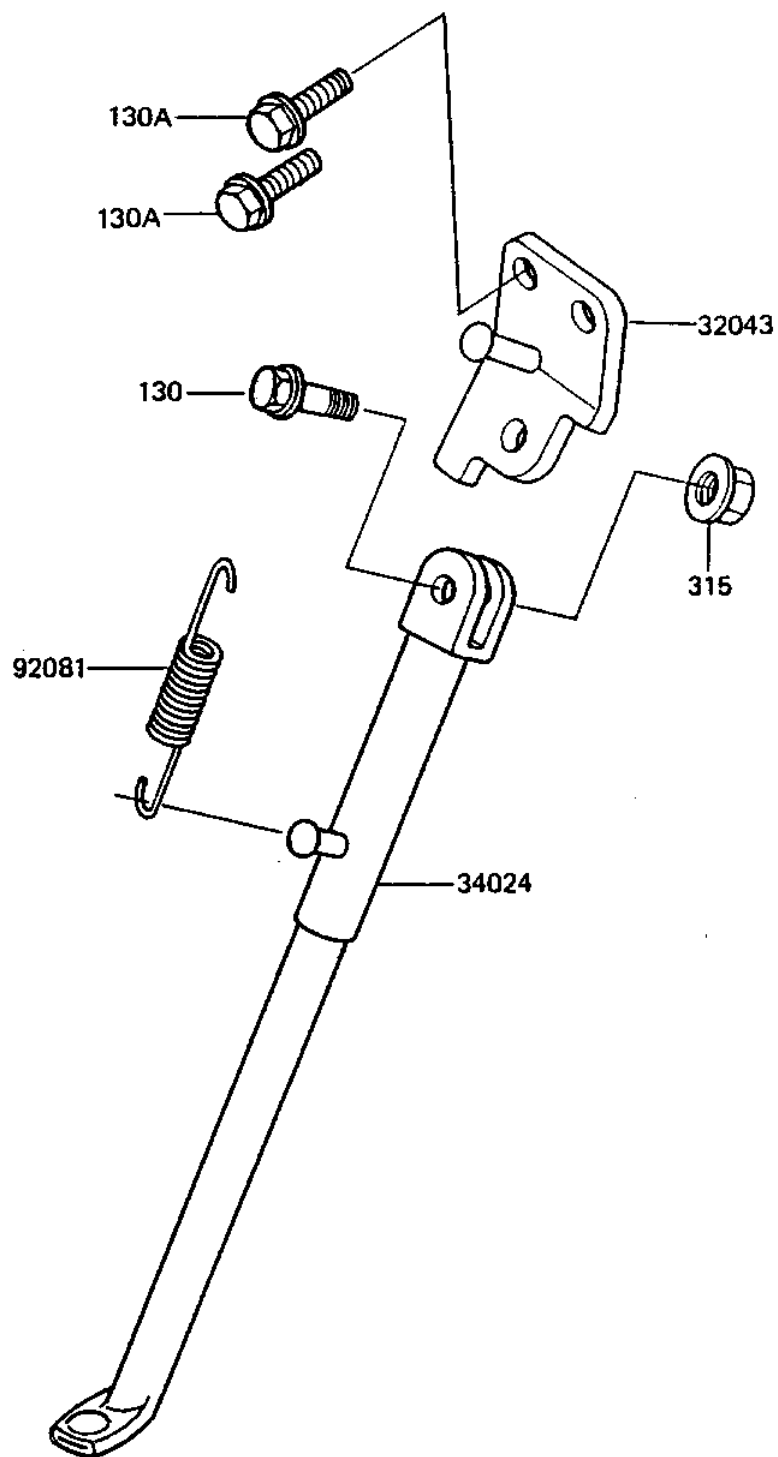


1983 KDX™250 PARTS DIAGRAM

STAND

F2190-0118



1983 KDX™250 PARTS LIST

STAND

ITEM NAME	PART NUMBER	QUANTITY
BRACKET-STAND (Ref # 32043)	32043-1114	1
STAND-SIDE (Ref # 34024)	34024-1104	1
SPRING (Ref # 92081)	92081-1419	1
BOLT-FLANGED,10X30 (Ref # 130)	130G1030	1
BOLT-FLANGED,12X20 (Ref # 130A)	130G1220	1
NUT 10MM (Ref # 315)	315B1000	1