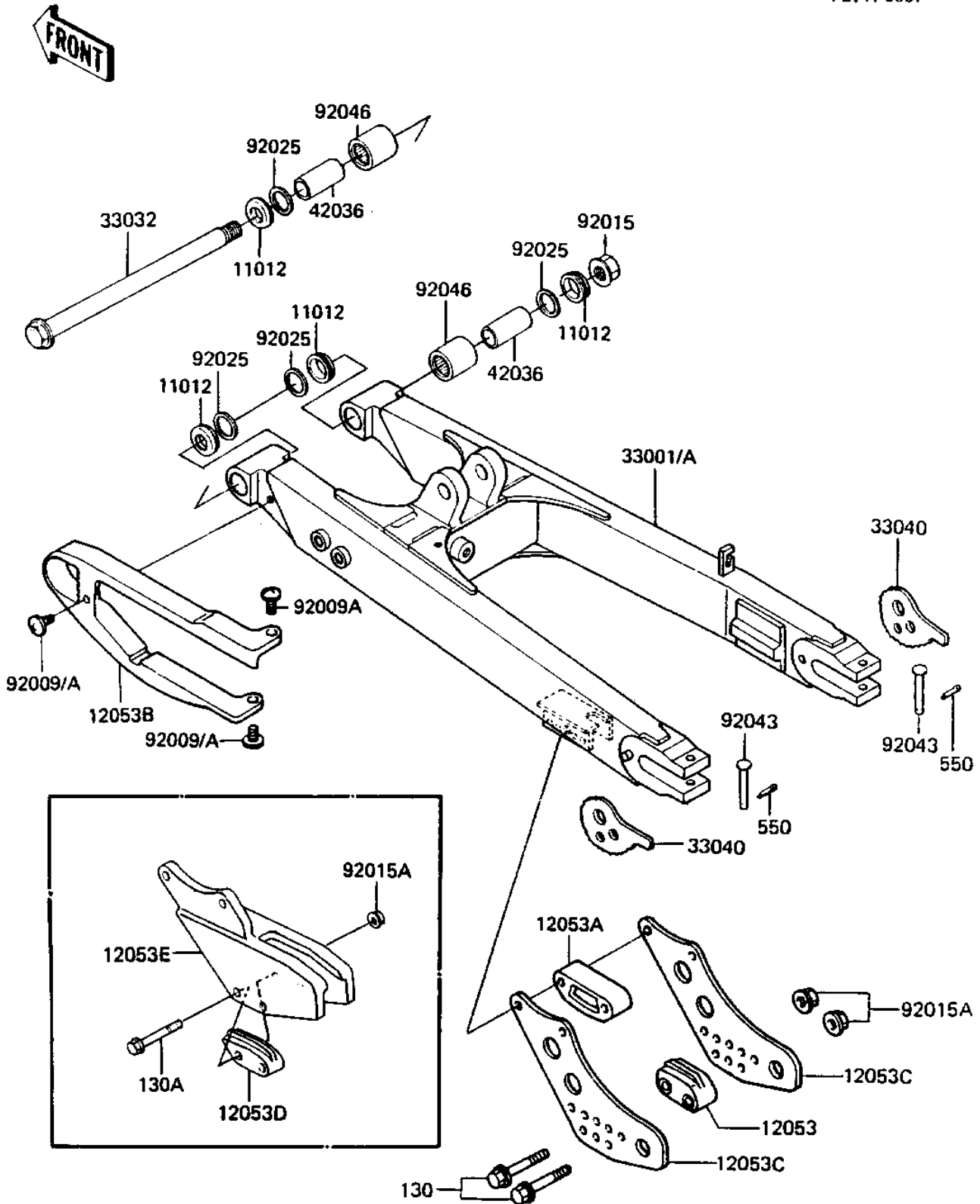


1983 KDX™250 PARTS DIAGRAM

SWING ARM

F2141-0007



1983 KDX™250 PARTS LIST

SWING ARM

| ITEM NAME | PART NUMBER | QUANTITY |
|----------------------------------|-------------|----------|
| CAP,SWING ARM (Ref # 11012) | 11012-1207 | 1 |
| GUIDE,CHAIN,REAR (Ref # 12053) | 12053-1011 | 1 |
| GUIDE,CHAIN,REAR (Ref # 12053A) | 12053-1039 | 1 |
| GUIDE-CHAIN,FR (Ref # 12053B) | 12053-1068 | 1 |
| GUIDE-CHAIN,RR (Ref # 12053C) | 12053-1073 | 1 |
| ARM-COMP-SWING (Ref # 33001) | 33001-1175 | 1 |
| SHAFT-SWING ARM (Ref # 33032) | 33032-1042 | 1 |
| ADJUSTER-CHAIN,LH (Ref # 33040) | 33040-1060 | 1 |
| SLEEVE,SWING ARM (Ref # 42036) | 42036-1056 | 1 |
| SCREW,6X10 (Ref # 92009) | 92009-1286 | 1 |
| SCREW,6X14 (Ref # 92009A) | 92009-1287 | 1 |
| NUT,14MM (Ref # 92015) | 92015-1407 | 1 |
| NUT-6MM (Ref # 92015A) | 92015-1078 | 1 |
| SHIM,SWING ARM (Ref # 92025) | 92025-1116 | 1 |
| PIN (Ref # 92043) | 92043-1110 | 1 |
| BRG,NEEDLE,HMK2030 (Ref # 92046) | 92046-1031 | 1 |
| BOLT,FLANGED,6X35 (Ref # 130) | 130H0635 | 1 |
| PIN COTTER 2.0X15 (Ref # 550) | 550D2015 | 1 |