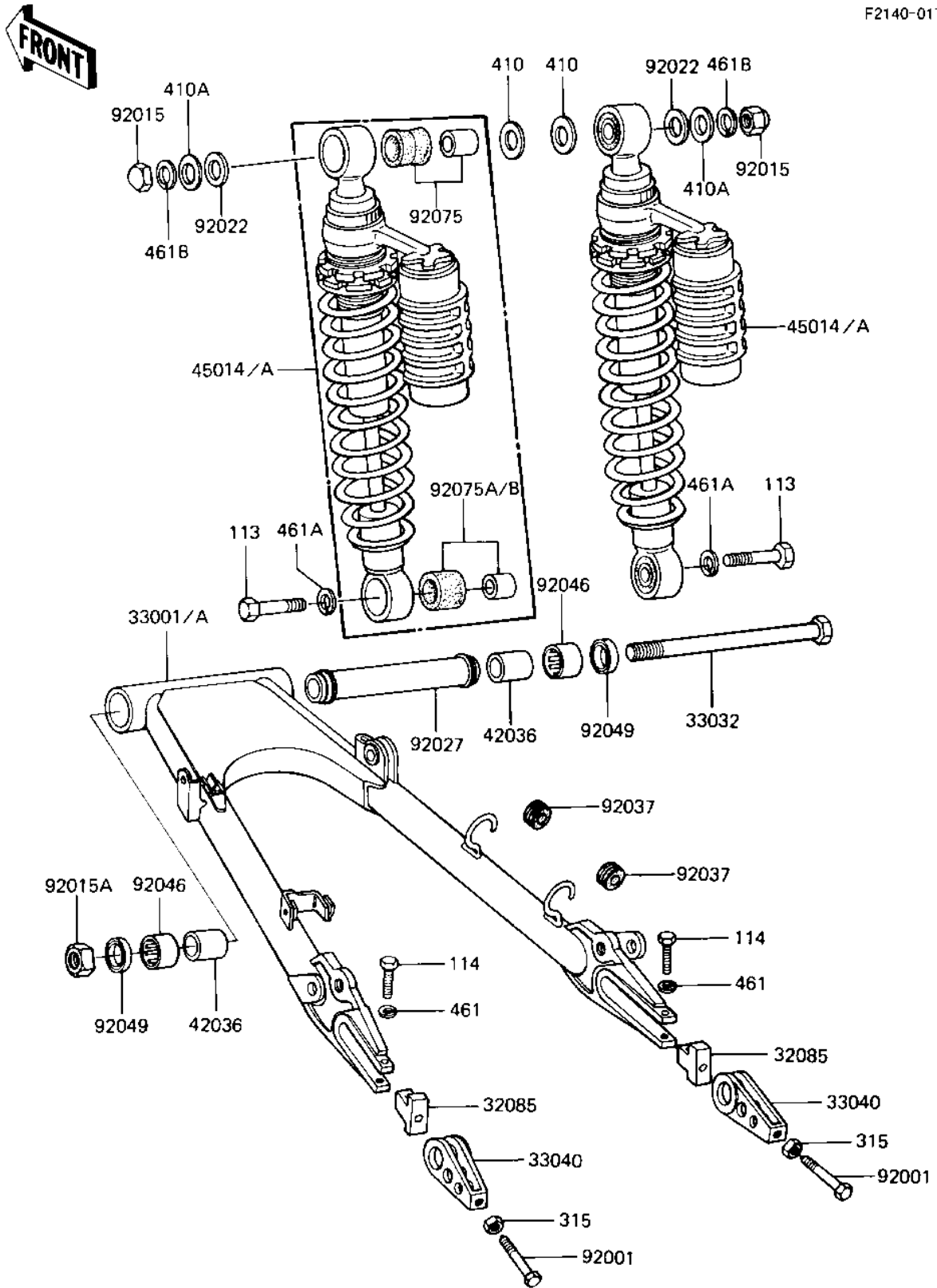


## 1982 Replica PARTS DIAGRAM

SWING ARM/SHOCK ABSORBERS

F2140-0172



## 1982 Replica PARTS LIST

SWING ARM/SHOCK ABSORBERS

ITEM NAME	PART NUMBER	QUANTITY
STOPPER,CHAIN ADJUST (Ref # 32085)	33044-001	1
ARM-COMP-SWING (Ref # 33001)	33001-1071	1
SHAFT-SWING ARM,BLACK (Ref # 33032)	33032-1027	1
ADJUSTER-CHAIN,BLACK (Ref # 33040)	33040-1023	1
SLEEVE,SWING ARM (Ref # 42036)	42036-1040	1
SHOCK ABSBR RR (Ref # 45014)	45014-1186	1
BOLT,10X50,BLACK (Ref # 92001)	92001-1722	1
NUT,LOCK,CAP,12MM,BLA (Ref # 92015)	92015-1192	1
NUT,LOCK,16MM,BLACK (Ref # 92015A)	92015-1207	1
WASHER,12.4X28X2.3,BL (Ref # 92022)	92022-1303	1
COLLAR (Ref # 92027)	92027-1561	1
DAMPER RUBBER (Ref # 92037)	43064-007	1
BEARING-NEEDLE (Ref # 92046)	92046-1035	1
SEAL-OIL (Ref # 92049)	92049-1060	1
DAMPER,SHOCKABSORBER (Ref # 92075)	92075-1387	1
DAMPER,SHOCKABSORBER (Ref # 92075A)	92075-1408	1
BOLT-SMALL-FINE,10X35 (Ref # 113)	112C1035	1
BOLT,8X40 (Ref # 114)	115G0840	1
NUT-HEX-FINE (Ref # 315)	315C1000	1
WASHER PLAIN 14MM (Ref # 410)	410B1400	1
WASHER-PLANE-SMALL (Ref # 410A)	410F1200	1
WASHER SPRING 8MM (Ref # 461)	461F0800	1
WASHER-SPRING,10MM (Ref # 461A)	461K1000	1
WASHER-SPRING,12MM,BL (Ref # 461B)	461K1200	1