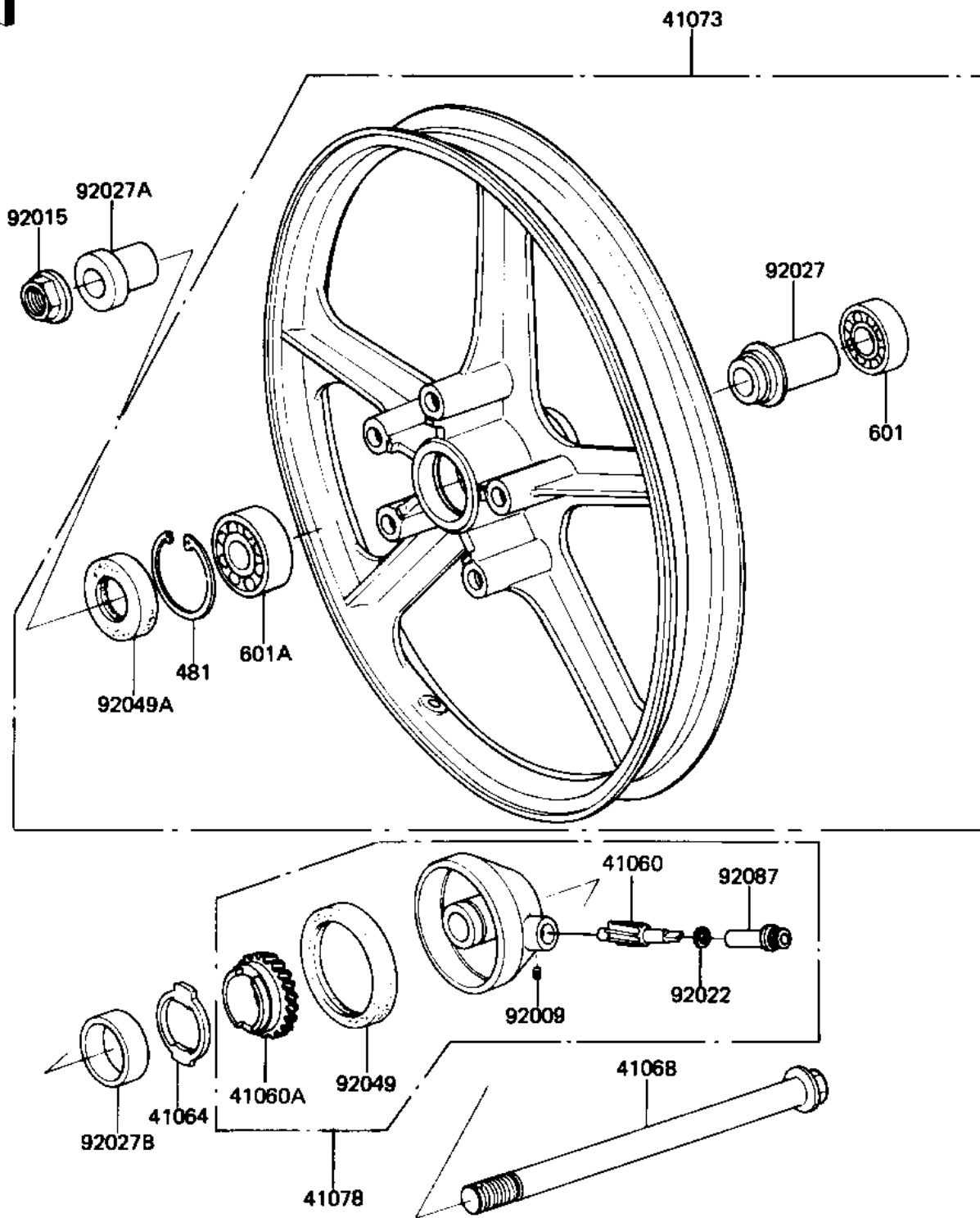


## 1982 Mini GP PARTS DIAGRAM

FRONT WHEEL/HUB

F2230-0021



## 1982 Mini GP PARTS LIST

### FRONT WHEEL/HUB

ITEM NAME	PART NUMBER	QUANTITY
GEAR-METER SCREW (Ref # 41060)	41060-1037	1
GEAR-METER SCREW (Ref # 41060A)	41060-1042	1
RECEIVER-SPEEDOMETER (Ref # 41064)	41064-1010	1
AXLE,FR,L=197 (Ref # 41068)	41068-1092	1
WHEEL-ASSY,FR,SOLID (Ref # 41073)	41073-1175-H9	1
CASE-ASSY-METER GEAR (Ref # 41078)	41078-1022	1
SCREW,METER SCREW (Ref # 92009)	92009-1117	1
NUT-12MM (Ref # 92015)	92015-1156	1
WASHER,METER SCREW (Ref # 92022)	92022-1257	1
COLLAR,L=43 (Ref # 92027)	41039-034	1
COLLAR,L=29 (Ref # 92027A)	92027-1001	1
COLLAR,METER SCREW (Ref # 92027B)	92027-1439	1
SEAL-OIL,METER SCREW (Ref # 92049)	92049-1073	1
OIL SEAL,FR BK DRUM (Ref # 92049A)	92050-059	1
BUSHING-METER GEAR (Ref # 92087)	92087-1004	1
CIRCLIP.37MM (Ref # 481)	481J3700	1
BEARING BALL #6201 (Ref # 601)	601B6201	1
BEARING BALL #6301 (Ref # 601A)	601B6301	1