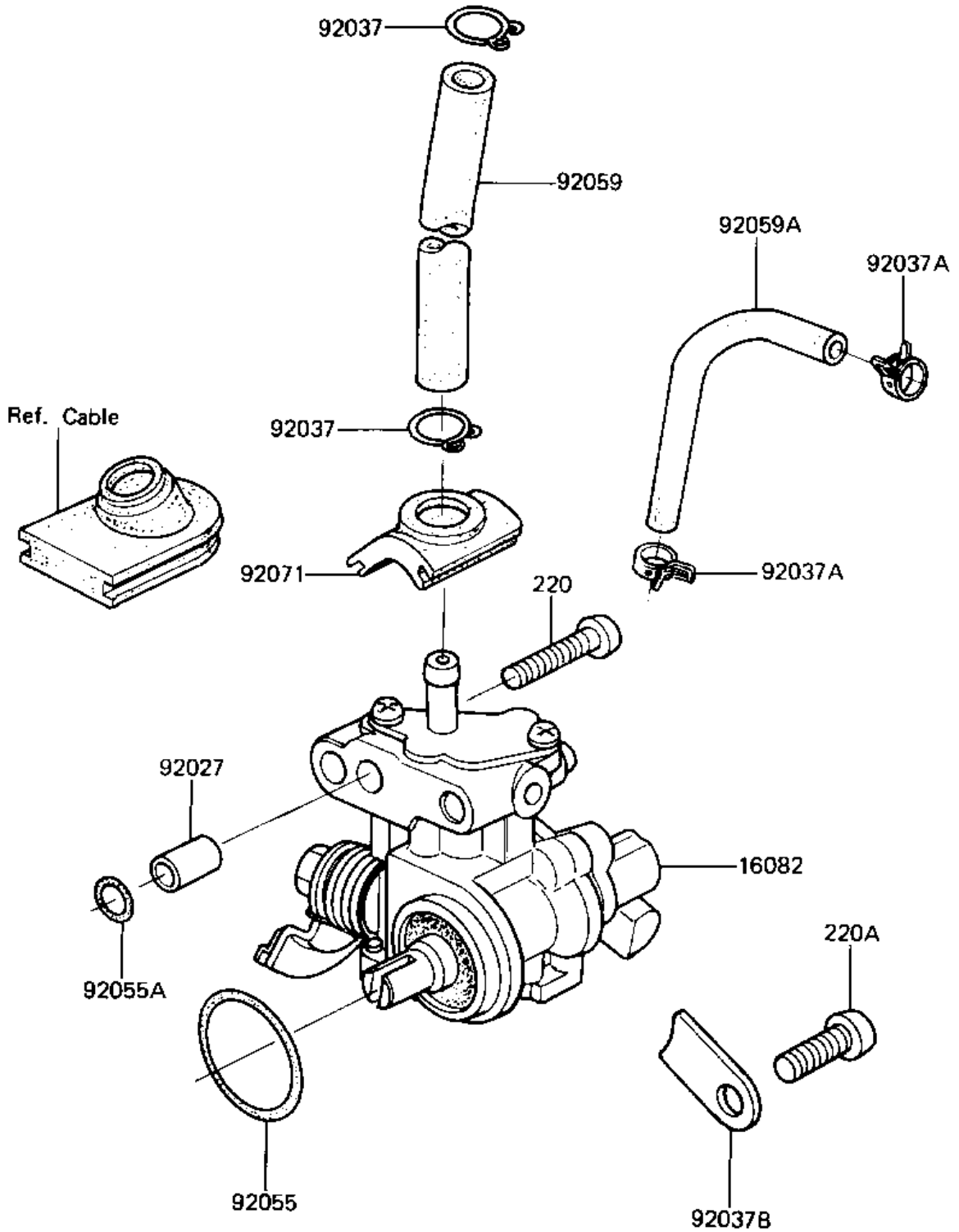


## 1982 Mini GP PARTS DIAGRAM

OIL PUMP

E1710-0021



## 1982 Mini GP PARTS LIST

### OIL PUMP

ITEM NAME	PART NUMBER	QUANTITY
PUMP-ASSY-OIL (Ref # 16082)	16082-1075	1
COLLAR (Ref # 92027)	92027-256	1
CLAMP FUEL PIPE (Ref # 92037)	92037-010	1
CLAMP,TUBE (Ref # 92037A)	92037-1260	1
CLAMP (Ref # 92037B)	92037-187	1
"O" RING (Ref # 92055)	92055-055	1
"O" RING,5MM (Ref # 92055A)	670B1505	1
PIPE-OIL (Ref # 92059)	92059-072	1
TUBE,3X5.8X74 (Ref # 92059A)	92059-1157	1
GROMMET,OIL TUBE (Ref # 92071)	92071-1030	1
SCREW PAN HEAD 5X20 (Ref # 220)	220B0520	1
SCREW PAN HEAD 6X14 (Ref # 220A)	220B0614	1