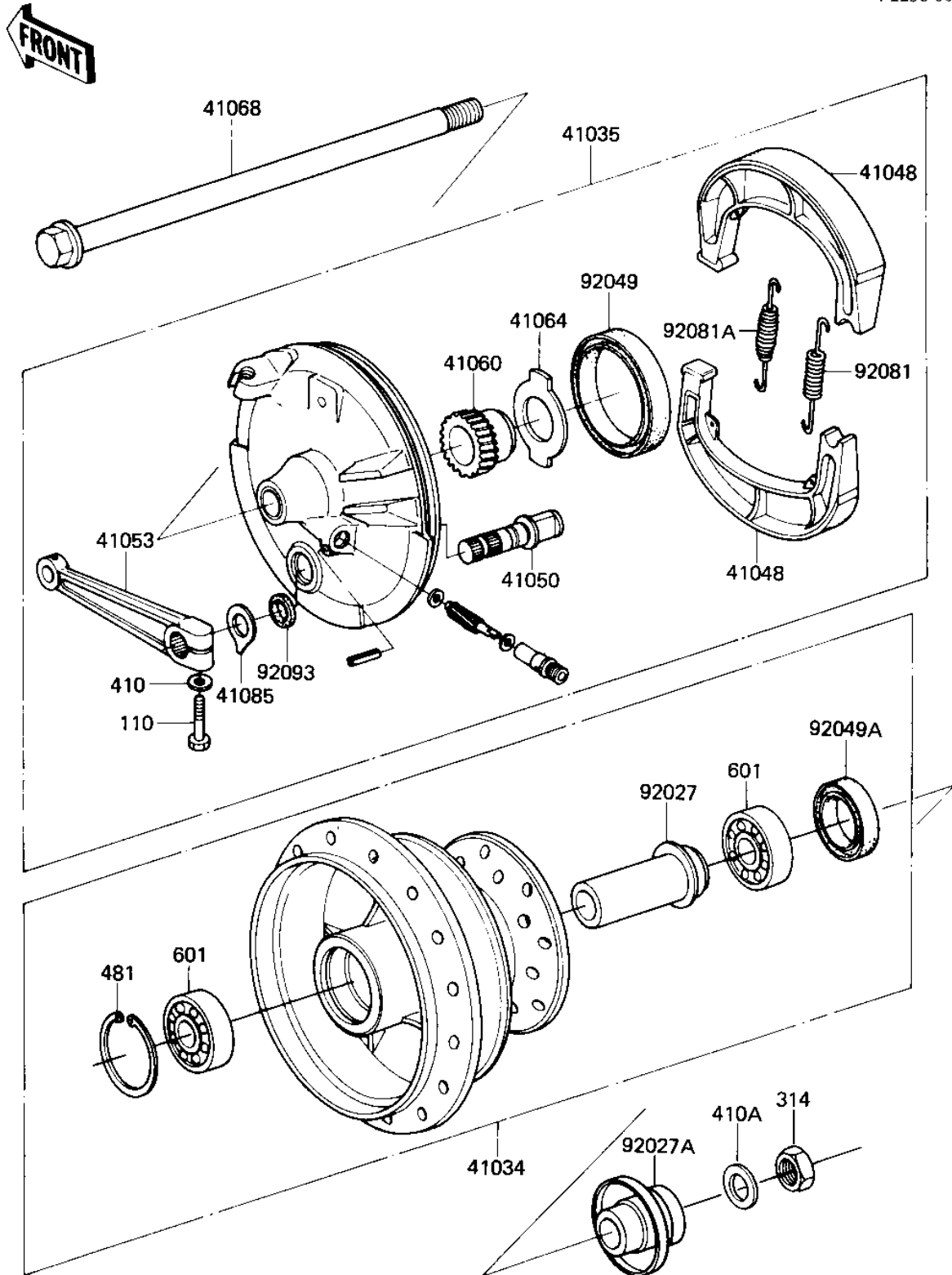


1982 KL250 PARTS DIAGRAM

FRONT HUB/BRAKE

F2230-0043



1982 KL250 PARTS LIST

FRONT HUB/BRAKE

ITEM NAME	PART NUMBER	QUANTITY
DRUM-ASSY,FR BRK (Ref # 41034)	41034-1014	1
PANEL-ASY,FR BRK (Ref # 41035)	41035-1045	1
SHOE,BRAKE (Ref # 41048)	41048-015	1
CAM,BRAKE,FRONT (Ref # 41050)	41050-1010	1
LEVER,BRAKE FRONT (Ref # 41053)	41053-1012	1
GEAR,SPEEDOMETER,24T (Ref # 41060)	41060-1017	1
RECIEVER-SPEED GEAR (Ref # 41064)	41064-006	1
AXLE,REAR (Ref # 41068)	41068-1037	1
INDICATOR,BRAKE SHOE (Ref # 41085)	41085-1003	1
COLLAR,FR BRAKE DRUM (Ref # 92027)	92027-1097	1
COLLAR,FRONT AXLE (Ref # 92027A)	92027-1098	1
OIL SEAL F BRK PANEL (Ref # 92049)	92050-010	1
OIL SEAL,FR BK DRUM (Ref # 92049A)	92050-059	1
SPRING,BRAKE SHOE (Ref # 92081)	92081-1766	1
SPRING,BRAKE SHOE (Ref # 92081A)	92081-1550	1
DUST SHIELD BRAKE CAM (Ref # 92093)	41051-001	1
BOLT-UPSET (Ref # 110)	112G0625	1
NUT-HEX-FINE (Ref # 314)	314B1200	1
WASHER PLAIN 6MM (Ref # 410)	410B0600	1
WASHER PLAIN 12MM (Ref # 410A)	410B1200	1
CIRCLIP.37MM (Ref # 481)	481J3700	1
BEARING BALL #6301 (Ref # 601)	601B6301	1