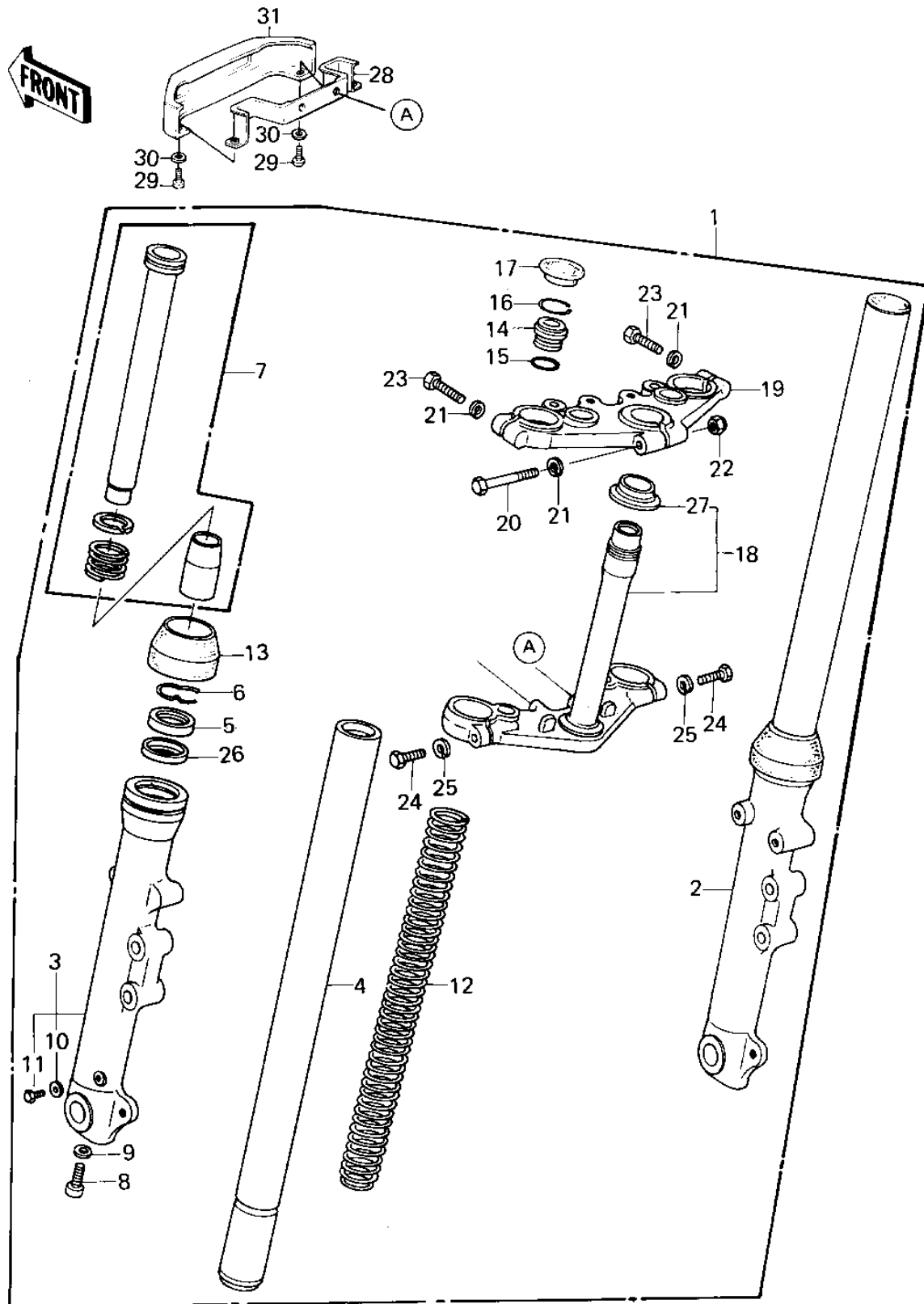


## 1980 440 LTD PARTS DIAGRAM

FRONT FORK ('80 A1)



## 1980 440 LTD PARTS LIST

FRONT FORK ('80 A1)

ITEM NAME	PART NUMBER	QUANTITY
FORK-FRONT (Ref # 1)	44001-1214	1
TUBE,RH,FORK OUTER (Ref # 2)	44006-1029	1
TUBE,LH,FORK OUTER (Ref # 3)	44005-1029	1
TUBE,FORK INNER (Ref # 4)	44013-1025	1
OIL SEAL,FORK (Ref # 5)	92049-1077	1
RING,OIL SEAL STOPPER (Ref # 6)	44043-057	1
CYLINDER-FORK (Ref # 7)	44022-1028	1
BOLT,FORK CYLINDER (Ref # 8)	44041-078	1
GASKET,FORK CYL BOLT (Ref # 9)	44045-051	1
GASKET,DRAIN PLUG (Ref # 10)	44045-047	1
BOLT HEX HEAD 6X8 (Ref # 11)	110B0608	1
SPRING,FORK INNER (Ref # 12)	44026-1037	1
DUST SHIELD,FORK (Ref # 13)	92093-1063	1
GUIDE,SPRING (Ref # 14)	44029-022	1
"O" RING (Ref # 15)	44046-025	1
CIRCLIP (Ref # 16)	44044-023	1
CAP,RUBBER,FORK TOP (Ref # 17)	11012-1021	1
STEM,STEERING (Ref # 18)	44037-1014	1
HEAD,STEERING STEM (Ref # 19)	44039-1023	1
BOLT,HEX HEAD,8X55 (Ref # 20)	92001-1064	1
WASHER SPRING 8MM (Ref # 21)	461F0800	1
NUT,LOCK,8MM (Ref # 22)	92015-1124	1
BOLT,HEX HEAD,8X40 (Ref # 23)	92001-1063	1
BOLT,HEX HEAD 10X35 (Ref # 24)	92001-1252	1
WASHER SPRING 10MM (Ref # 25)	461F1000	1
SPACER,FORK (Ref # 26)	92026-1005	1
CONE STRNG STEM BERNG (Ref # 27)	92047-006	1
BRACKET,FORK COVER (Ref # 28)	11034-1698	1
SCREW PAN HEAD 4X10 (Ref # 29)	220B0410	1

## 1980 440 LTD PARTS LIST

FRONT FORK ('80 A1)

ITEM NAME	PART NUMBER	QUANTITY
WASHER PLAIN 4MM (Ref # 30)	410B0400	1
COVER,FORK (Ref # 31)	44033-1042	1