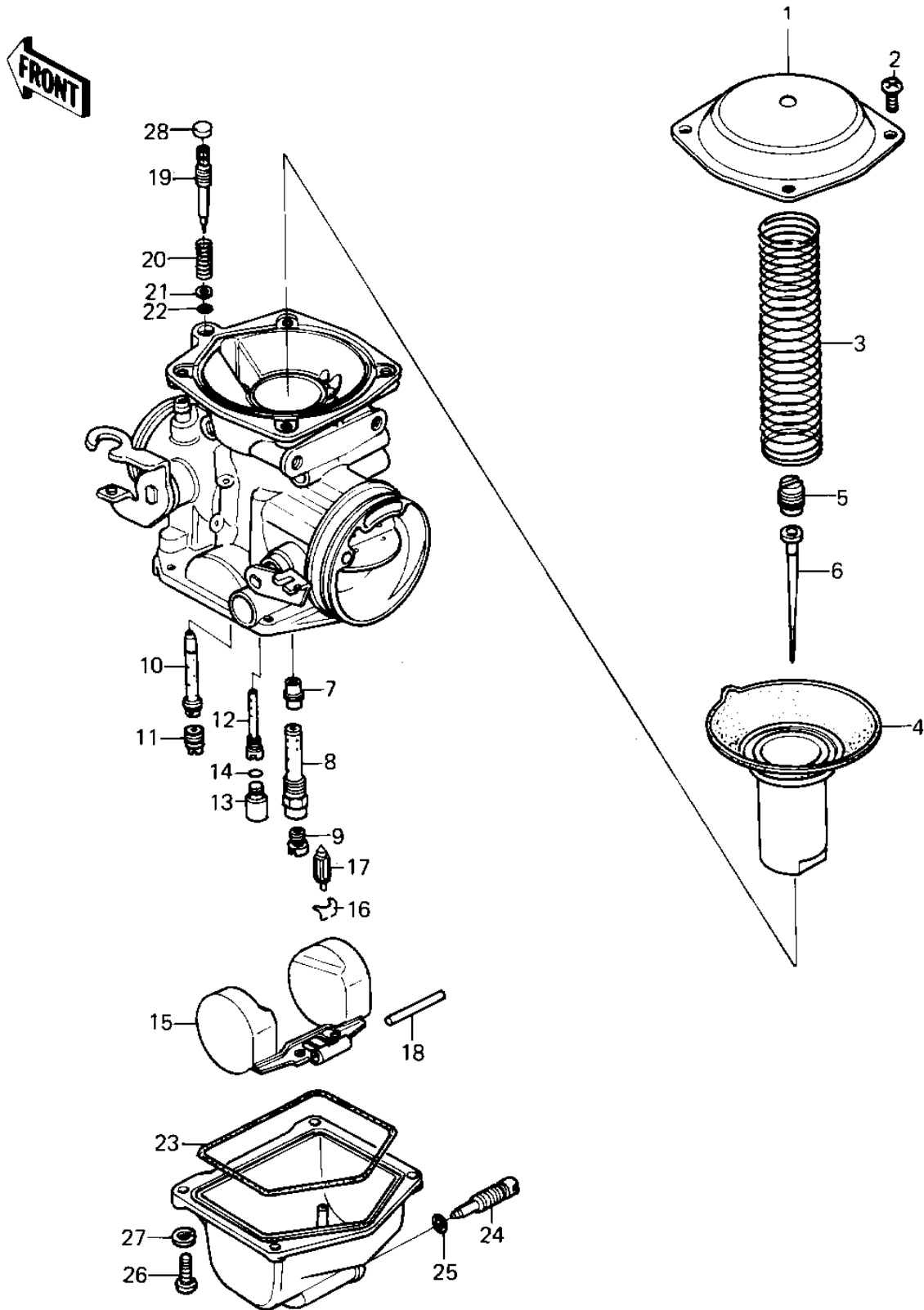


1980 440 LTD PARTS DIAGRAM

CARBURETOR PARTS ('80 A1)



1980 440 LTD PARTS LIST

CARBURETOR PARTS ('80 A1)

ITEM NAME	PART NUMBER	QUANTITY
TOP,MIXING CHAMBER (Ref # 1)	16005-1012	1
SCREW PAN HEAD 4X8 (Ref # 2)	220B0408	1
SPRING (Ref # 3)	92081-1257	1
VALVE,VACUUM (Ref # 4)	16126-1044	1
SCREW,NEEDLE SET (Ref # 5)	16007-1022	1
JET NEEDLE,#N02A (Ref # 6)	16009-1064	1
NEEDLE JET (Ref # 7)	16017-1059	1
HOLDER,NEEDLE JET (Ref # 8)	13091-1050	1
MAIN JET,2ND #88 (Ref # 9)	92063-1024	1
MAIN JET,2ND,#85 (Ref # 9)	92063-1023	1
MAIN JET,2ND,#80 (Ref # 9)	92063-1037	1
MAIN JET,2ND,#82 (Ref # 9)	92063-1044	1
MAIN JET,2ND,#90 (Ref # 9)	92063-1003	1
MAIN JET,#92,2ND (Ref # 9)	92063-1004	1
NOZZLE,MAIN (Ref # 10)	92062-1001	1
MAIN JET,PRI,#62 (Ref # 11)	92063-1070	1
MAINJET,PRIMARY,#70 (Ref # 11)	92063-1002	1
PILOT JET,#35 (Ref # 12)	92064-1001	1
CAP,POLYESTER (Ref # 13)	11012-1128	1
"O" RING (Ref # 14)	92055-1088	1
FLOAT (Ref # 15)	16031-1001	1
CLIP,FLOAT VALVE (Ref # 16)	16044-007	1
FLOAT VALVE (Ref # 17)	16030-1007	1
FLOAT PIN (Ref # 18)	92043-1002	1
SCREW,PILOT ADJUST (Ref # 19)	16014-1011	1
SPRING,PIROT ADJ SCRW (Ref # 20)	92081-1002	1
WASHER,PLAIN (Ref # 21)	92022-1003	1
O RING,PILOT ADJ (Ref # 22)	92055-1002	1
"O" RING,FLOAT BALL (Ref # 23)	16019-024	1

1980 440 LTD PARTS LIST

CARBURETOR PARTS ('80 A1)

ITEM NAME	PART NUMBER	QUANTITY
SCREW,DRAIN (Ref # 24)	92009-1095	1
"O" RING,DRAIN SCREW (Ref # 25)	92055-1053	1
SCREW-PAN-CRROSS,4X12 (Ref # 26)	220B0412	1
WASHER SPRING 4MM (Ref # 27)	461F0400	1
PLUG,PILOT SCREW (Ref # 28)	92066-1051	1