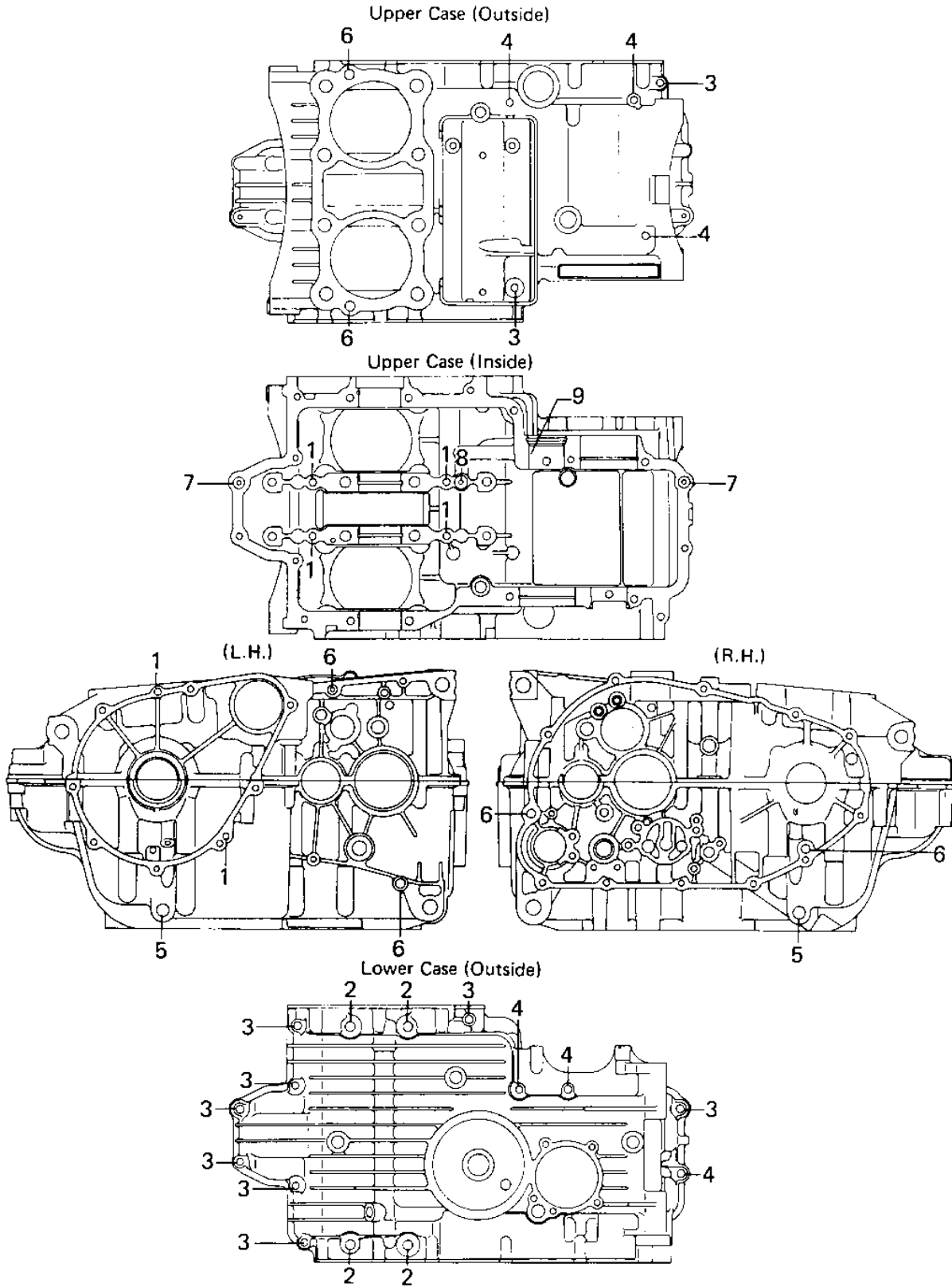


## 1980 440 LTD PARTS DIAGRAM

CRANKCASE BOLT & STUD PATTERN ('80 A1)



## 1980 440 LTD PARTS LIST

CRANKCASE BOLT & STUD PATTERN ('80 A1)

ITEM NAME	PART NUMBER	QUANTITY
PIN,DOWEL,6X12 (Ref # 1)	551A0612	1
BOLT-FLANGED,8X95 (Ref # 2)	130P0895	1
BOLT,HEX HEAD,6X54 (Ref # 3)	92003-110	3
BOLT-FLANGED,6X95 (Ref # 4)	130G0695	1
SET SCREW,PT 1/4 (Ref # 5)	92013-010	2
PIN-DOWEL (Ref # 6)	92042-007	1
PIN,DOWEL,10X8.2X14 (Ref # 7)	92043-1037	2
"O" RING (Ref # 8)	92055-074	1
NOZZLE,OIL BIAS (Ref # 9)	92062-011	2