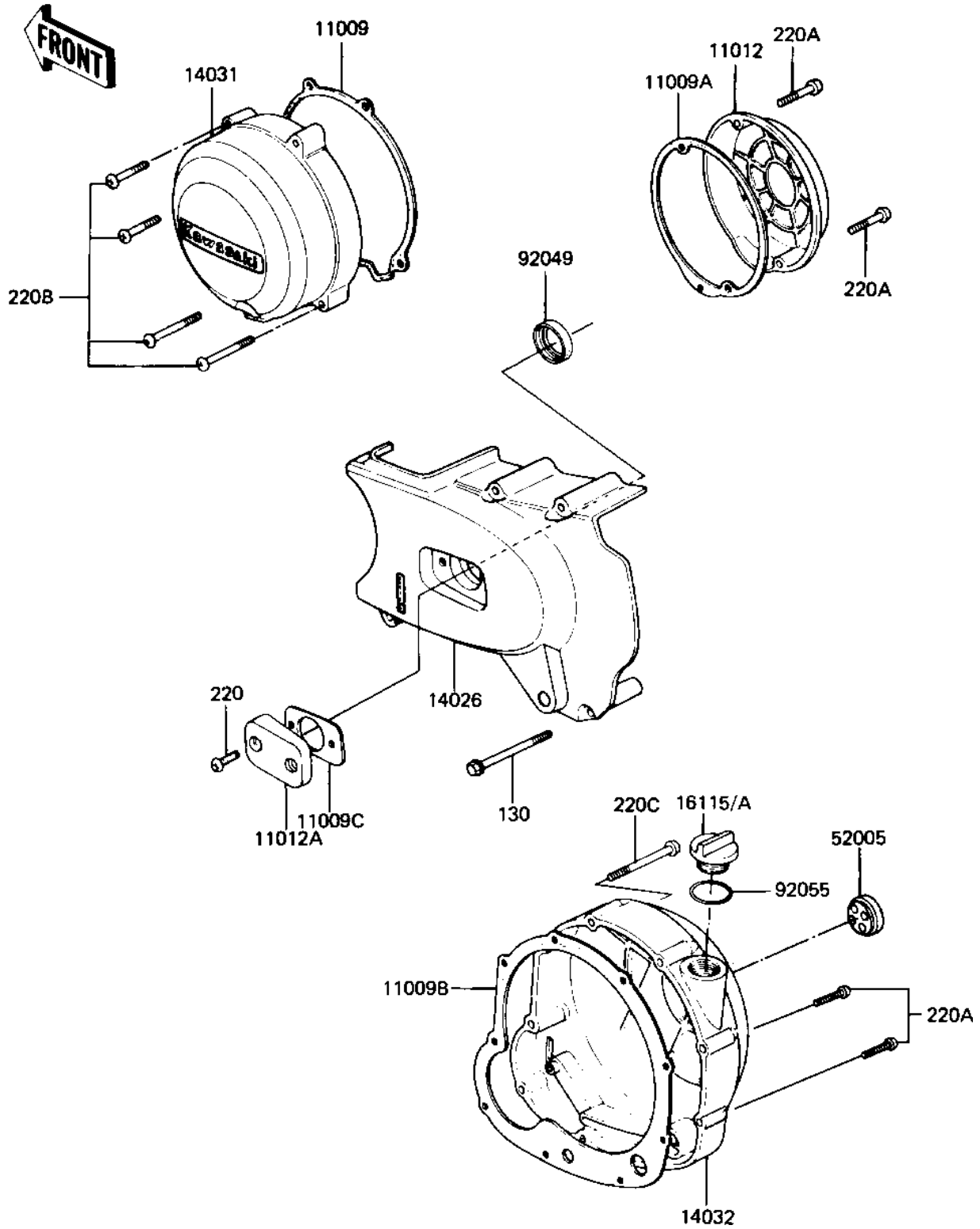


1982 550 LTD PARTS DIAGRAM

ENGINE COVERS ('82-'83 C3/C4)

E1431-0031



1982 550 LTD PARTS LIST

ENGINE COVERS ('82-'83 C3/C4)

| ITEM NAME | PART NUMBER | QUANTITY |
|--------------------------------------|--------------|----------|
| GASKET,GENERATOR COVE (Ref # 11009) | 11060-1055 | 1 |
| GASKET,PULSING COIL C (Ref # 11009A) | 11060-1053 | 1 |
| GASKET,CLUTCH COVER (Ref # 11009B) | 11060-1054 | 1 |
| GASKET,CLUTCH ADJ CAP (Ref # 11009C) | 14049-004 | 1 |
| CAP,CONTACT BREAKER (Ref # 11012) | 11012-1098 | 1 |
| COVER,CLUTCH ADJUSTNG (Ref # 11012A) | 14028-006-80 | 1 |
| COVER,CHAIN (Ref # 14026) | 14026-1047 | 1 |
| COVER,GENERATOR,BUFF (Ref # 14031) | 14031-1014 | 1 |
| COVER,CLUTCH,BUFF (Ref # 14032) | 14032-5004 | 1 |
| PLUG,OIL FILLER (Ref # 16115) | 16115-013 | 1 |
| GAUGE,OIL LEVEL (Ref # 52005) | 52005-1009 | 1 |
| OIL SEAL,CLUTCH RELES (Ref # 92049) | 92049-1003 | 1 |
| "O" RING,31MM (Ref # 92055) | 92055-049 | 1 |
| BOLT-FLANGED,6X70 (Ref # 110) | 130G0670 | 1 |
| SCREW PAN HEAD 6X18 (Ref # 220) | 220B0618 | 1 |
| SCREW PAN HEAD 6X30 (Ref # 220A) | 220B0630 | 1 |
| SCREW PAN HEAD 6X40 (Ref # 220B) | 220B0640 | 1 |
| SCREW PAN HEAD 6X60 (Ref # 220C) | 220B0660 | 1 |