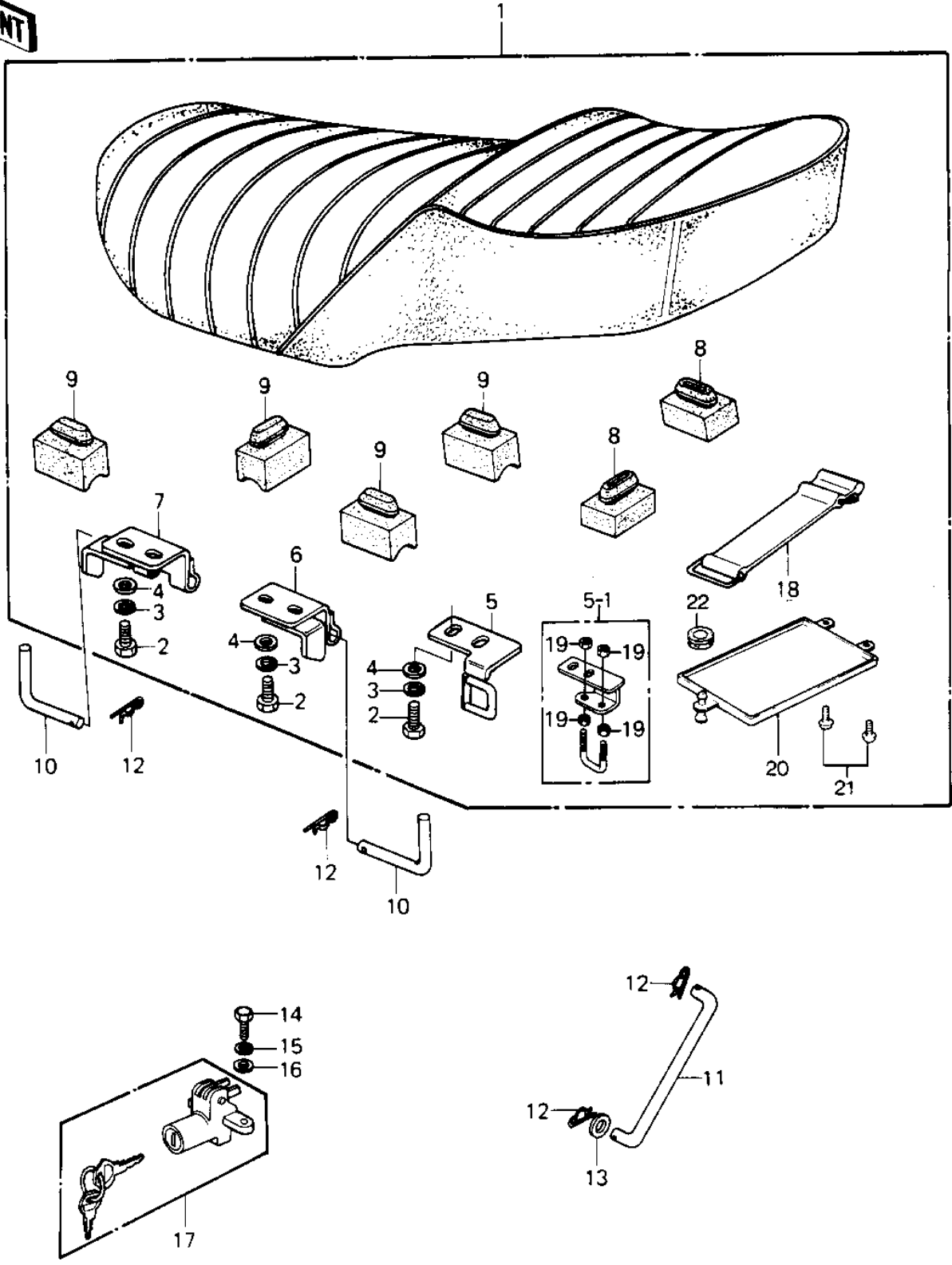


1980 550 LTD PARTS DIAGRAM

SEAT ('80-'81 C1/C2)



1980 550 LTD PARTS LIST

SEAT ('80-'81 C1/C2)

ITEM NAME	PART NUMBER	QUANTITY
SEAT-ASSY,DUAL (Ref # 1)	53001-1114	2
BOLT-UPSET,6X16 (Ref # 2)	112G0616	1
WASHER SPRING 6MM (Ref # 3)	461F0600	2
WASHER PLAIN 6MM (Ref # 4)	411B0600	2
HOOK,SEAT (Ref # 5)	27012-1011	1
HOOK ASSY,SEAT (Ref # 5-1)	53045-1002	1
HINGE,SEAT,FRONT (Ref # 6)	53009-1023	1
HINGE,SEAT,REAR (Ref # 7)	53009-1024	1
DAMPER RUBBER (Ref # 8)	92075-099	1
DAMPER RUBBER-SEAT (Ref # 9)	92075-156	1
PIN,DUAL SEAT PIVOT (Ref # 10)	53011-008	1
STOPPER,SEAT (Ref # 11)	53054-006	1
PIN,SNAP (Ref # 12)	554A0600	1
WASHER,6.5X16X2 (Ref # 13)	92022-1565	1
BOLT-UPSET 6X14 (Ref # 14)	112B0614	1
LOCK-ASSY,SEAT (Ref # 17)	27016-5010	1
BAND,TOOL (Ref # 18)	92072-1044	1
NUT 6MM (Ref # 19)	312B0600	1
CASE (Ref # 20)	32099-011	1
SCREW (Ref # 21)	92009-1043	1
GROMMET (Ref # 22)	92071-056	1