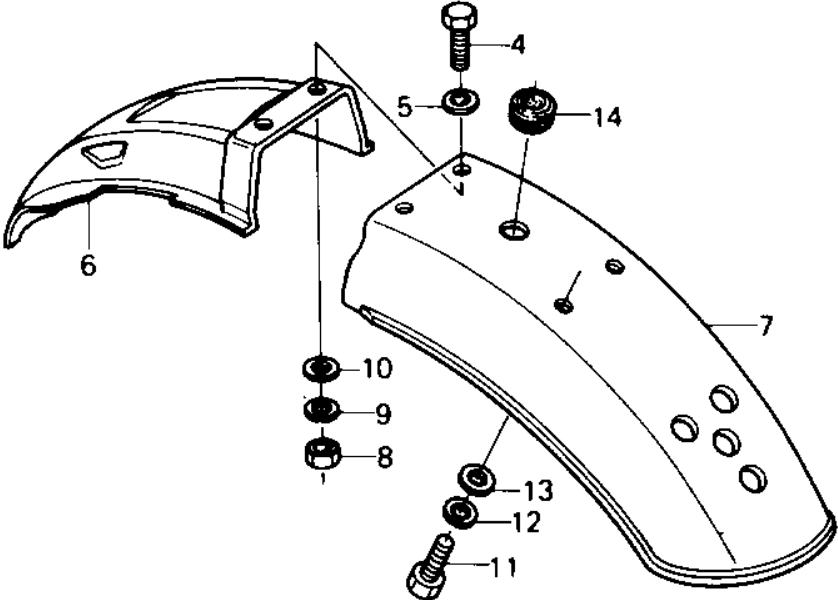
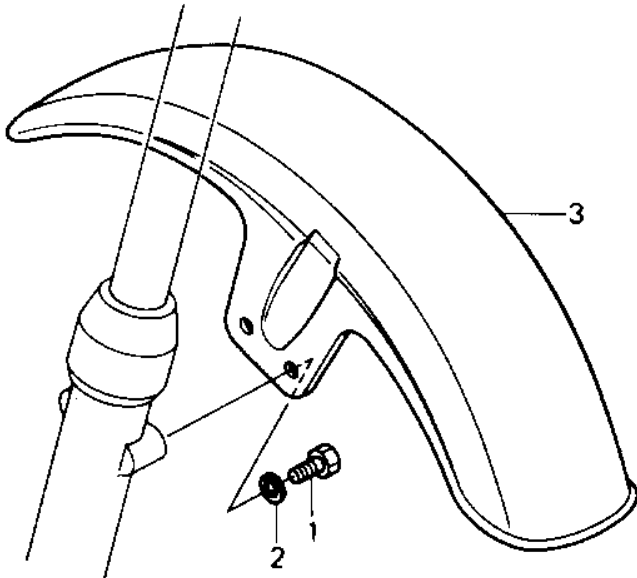


## 1980 550 LTD PARTS DIAGRAM

FENDERS ('80-'81 C1/C2)



## 1980 550 LTD PARTS LIST

FENDERS ('80-'81 C1/C2)

ITEM NAME	PART NUMBER	QUANTITY
BOLT-SMALL-UPSET,8X16 (Ref # 1)	115G0816	1
WASHER SPRING 8MM (Ref # 2)	461F0800	1
FENDER-FR (Ref # 3)	35004-1047	1
BOLT-UPSET (Ref # 4)	112G0618	1
WASHER PLAIN 6MM (Ref # 5)	411B0600	2
FENDER-RR (Ref # 6)	35023-1027	1
FENDER-RR (Ref # 7)	35022-1062	1
NUT 6MM (Ref # 8)	312B0600	1
WASHER SPRING 6MM (Ref # 9)	461F0600	2
WASHER 6.5X20X1.6T (Ref # 10)	92022-125	1
BOLT-UPSET,6X12 (Ref # 11)	112G0612	1
GROMMET HARNESS 10MM (Ref # 14)	92071-019	1