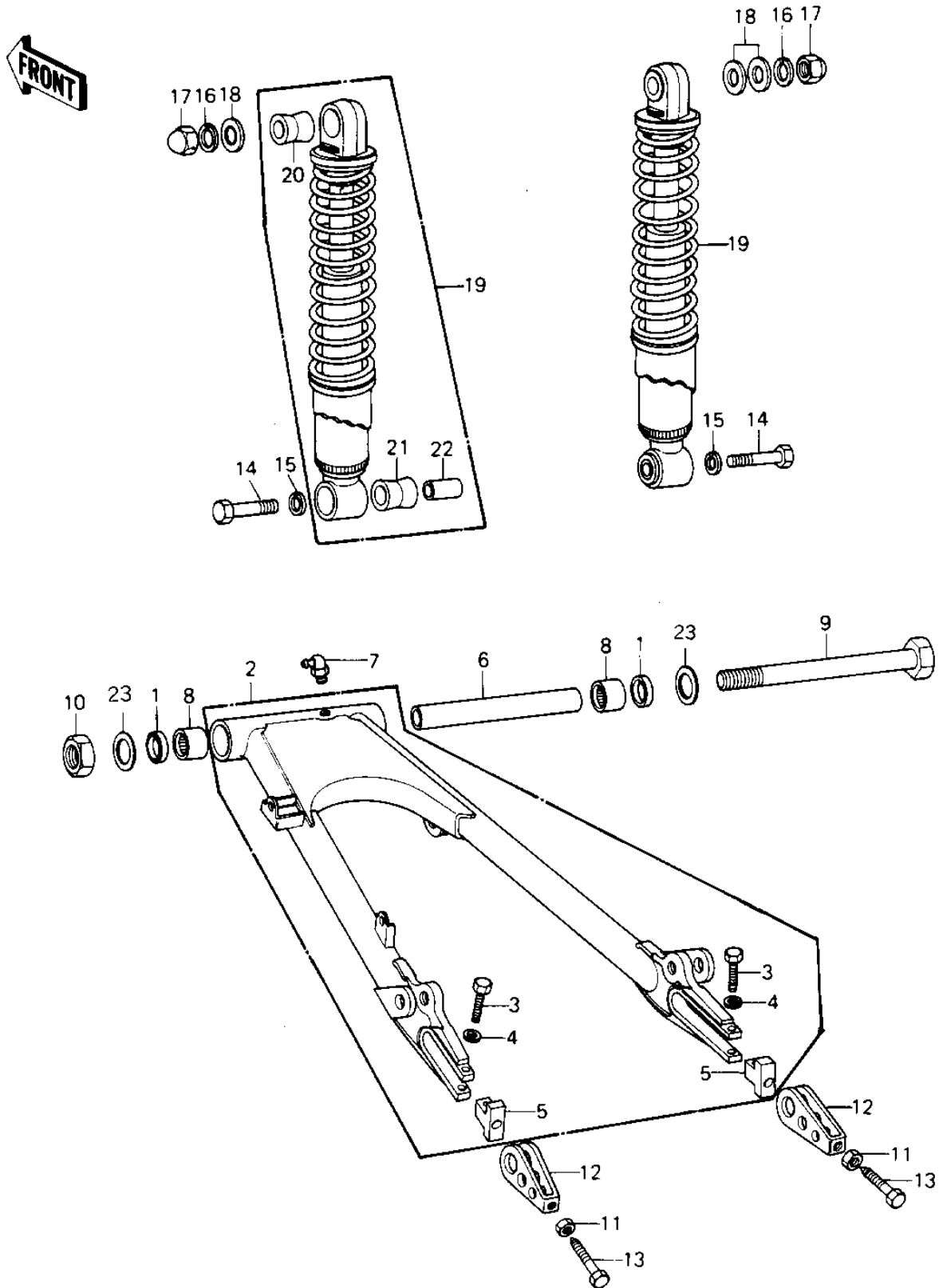


## 1980 550 LTD PARTS DIAGRAM

SWING ARM/SHOCK ABSORBERS ('80-'81 C1/C2)



## 1980 550 LTD PARTS LIST

SWING ARM/SHOCK ABSORBERS ('80-'81 C1/C2)

ITEM NAME	PART NUMBER	QUANTITY
OIL SEAL,MHA22284 (Ref # 1)	92049-1059	1
ARM-COMP-SWING (Ref # 2)	33001-1097	3
BOLT,SMALL UPSET (Ref # 3)	115G0835	1
WASHER SPRING 8MM (Ref # 4)	461F0800	1
STOPPER,CHAIN ADJUST (Ref # 5)	33044-002	1
SLEEVE,SWING ARM (Ref # 6)	42036-1018	1
GREASE NIPPLE (Ref # 7)	92005-002	1
BEARING-NEEDLE,HK2216 (Ref # 8)	92046-1115	1
SHAFT,SWING ARM (Ref # 9)	33032-1004	1
NUT-LOCK,14MM (Ref # 10)	92019-011	1
UNAVAILABLE IN PRICE BOOK (Ref # 11)	31880800	1
ADJUSTER,CHAIN (Ref # 12)	33040-056	1
BOLT,8X50 (Ref # 13)	92001-1399	2
BOLT HEX HEAD 10X35 (Ref # 14)	113N1035	1
WASHER SPRING 10MM (Ref # 15)	461F1000	2
NUT SHOCK ABSORBER (Ref # 17)	92020-003	1
WASHER-PLN,10X22X3.2 (Ref # 18)	92022-176	1
SHOCK ABSBR RR (Ref # 19)	45014-1103	2
BUSHING,SHCK ABS RUB (Ref # 20)	45017-015	1
BUSHING, SHCK ABS RUB (Ref # 21)	45017-012	1
BUSHING,SHOCK ABSORB (Ref # 22)	45016-008	1
SHIM,SWING ARM,34X0.5 (Ref # 23)	92025-1228	1