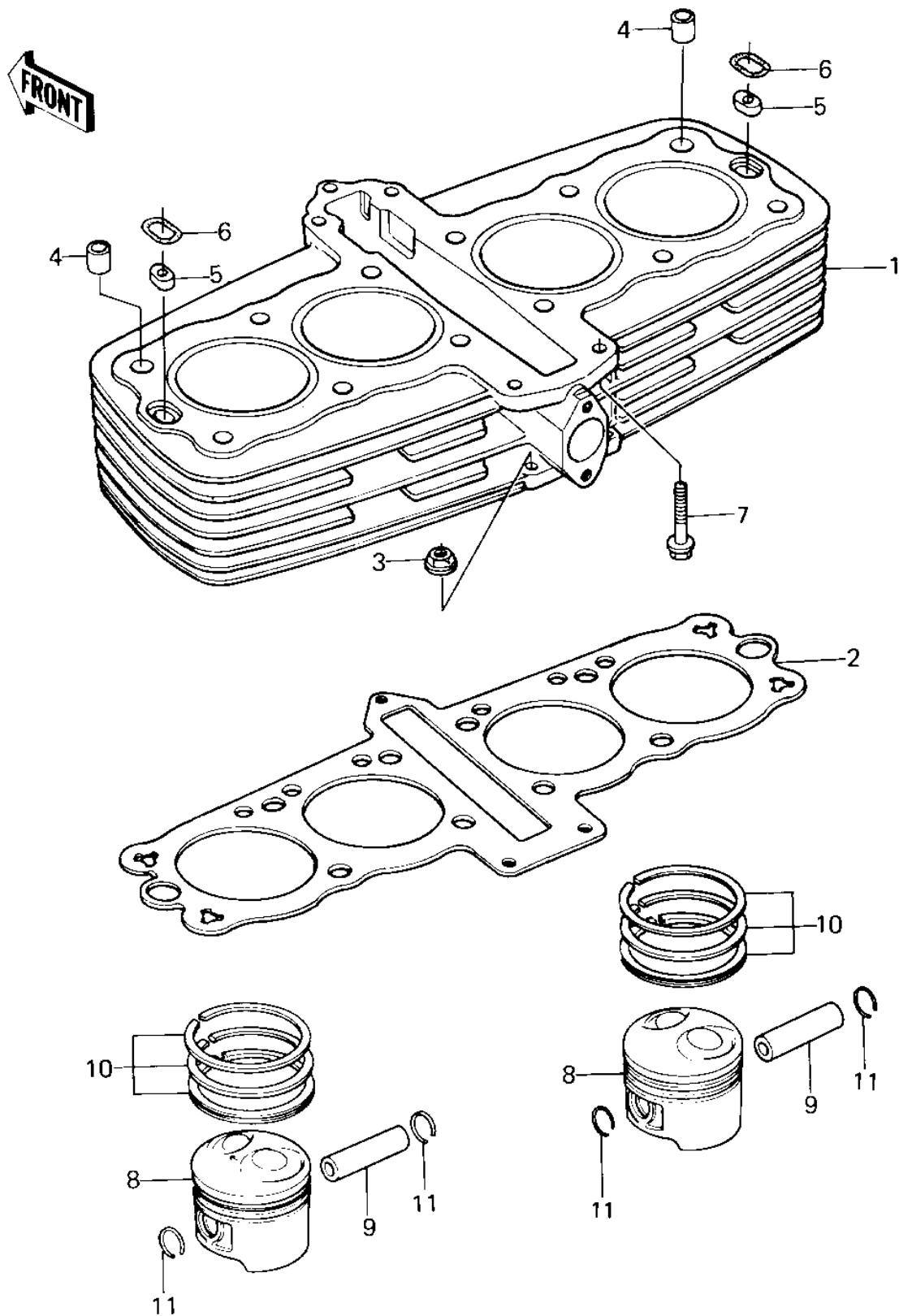


1980 550 LTD PARTS DIAGRAM

CYLINDER/PISTONS ('80-'81 C1/C2)



1980 550 LTD PARTS LIST

CYLINDER/PISTONS ('80-'81 C1/C2)

ITEM NAME	PART NUMBER	QUANTITY
CYLINDER ASSY,SILVER (Ref # 1)	11005-1111	2
GASKET,CYLINDER BASE (Ref # 2)	11009-1932	1
NUT-6MM (Ref # 3)	92015-1078	1
PIN,DOWEL,12MM (Ref # 4)	92042-031	1
PIN,OIL LINE (Ref # 5)	92043-1210	1
RING-O (Ref # 6)	92055-1147	1
BOLT (Ref # 7)	92003-202	1
PISTON-ENGINE,STD (Ref # 8)	13001-1121	1
PISTON-ENGINE-LL (Ref # 8)	13027-1053	1
PISTON-ENGINE-L (Ref # 8)	13029-1055	1
PIN-PISTON (Ref # 9)	13002-1012	1
RING-SET-PISTON,STD (Ref # 10)	13008-1009	1
RING-SET-PISTON-LL (Ref # 10)	13024-1010	1
RING-SET-PISTON-L (Ref # 10)	13025-1010	1
CIRCLIP,PISTON (Ref # 11)	92033-1050	1