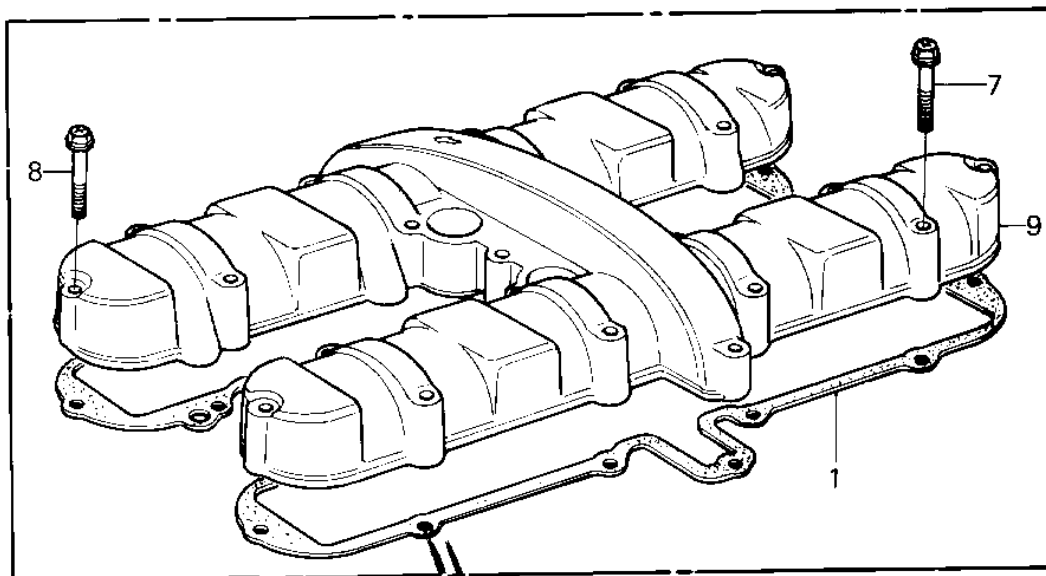
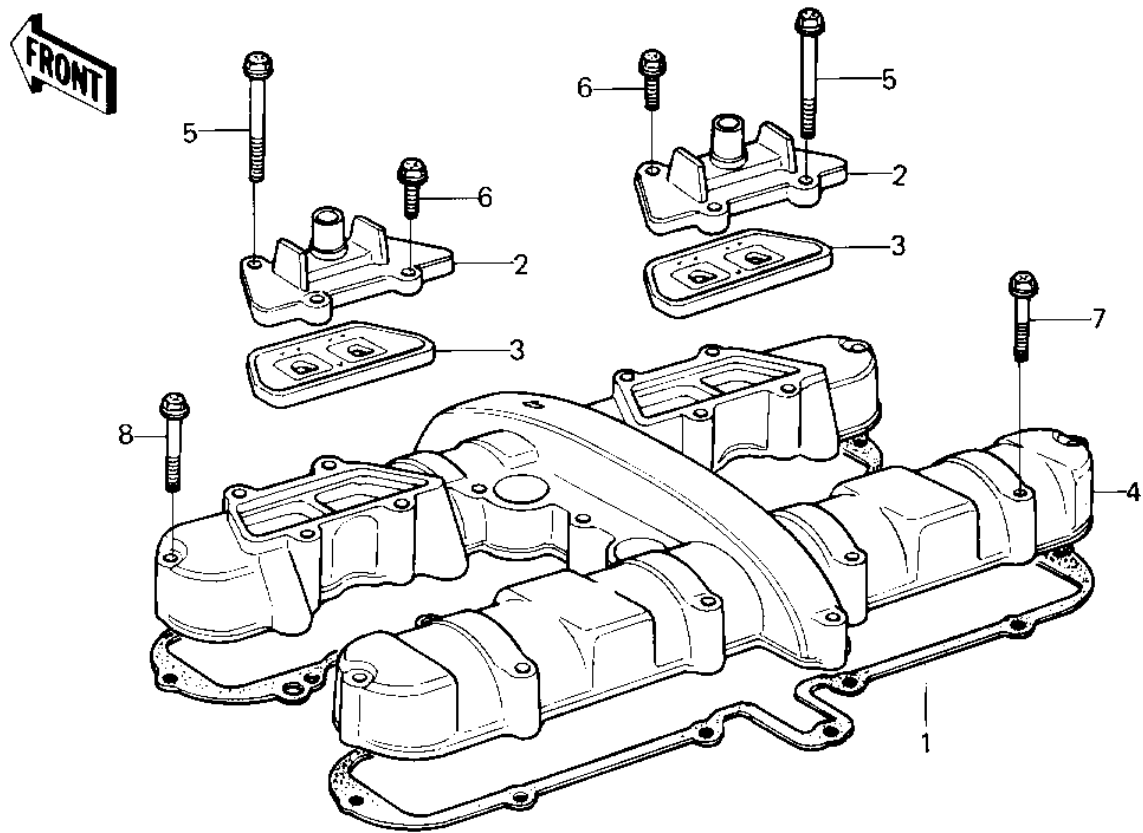


## 1980 550 LTD PARTS DIAGRAM

CYLINDER HEAD COVER ('80-'81 C1/C2)



## 1980 550 LTD PARTS LIST

CYLINDER HEAD COVER ('80-'81 C1/C2)

ITEM NAME	PART NUMBER	QUANTITY
GASKET,CYL HEAD COVER (Ref # 1)	11009-1058	1
CAP, REED VALVE,SILVER (Ref # 2)	11012-1193	2
VALVE ASSY REED (Ref # 3)	12021-1003	1
COVER,CYL HEAD,SILVER (Ref # 4)	14025-1300	2
BOLT,HEX HEAD,6X65 (Ref # 5)	92001-1102	1
BOLT,FLANGED,6X22 (Ref # 6)	92001-1352	1
BOLT,HEX HEAD,6X35 (Ref # 7)	92001-164	2
BOLT,HEX HEAD,6X45 (Ref # 8)	92001-165	1
14025-1301 (Canada) (Ref # 9)	14025-1059	1
COVER,CYL HEAD,SILVER (Canada) (Ref # 9)	14025-1301	1