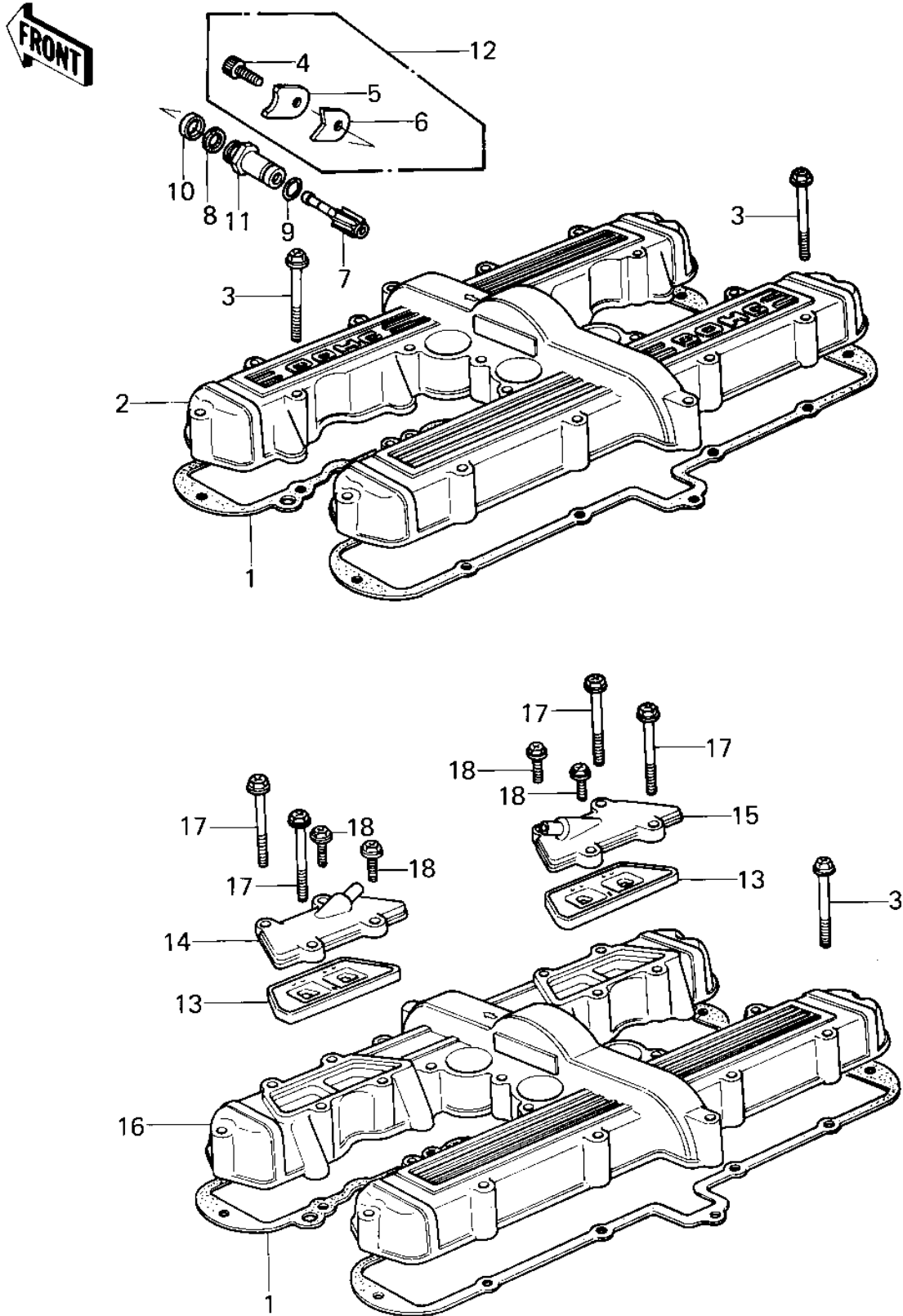


## 1980 750 Standard-4 PARTS DIAGRAM

CYLINDER HEAD COVER ('80 KZY 50-E1)



## 1980 750 Standard-4 PARTS LIST

CYLINDER HEAD COVER ('80 KZY 50-E1)

ITEM NAME	PART NUMBER	QUANTITY
GASKET,CYLINDER HEAD (Ref # 1)	11009-1237	2
BOLT,HEX HEAD,6X45 (Ref # 3)	92001-165	1
BOLT,6X14 (Ref # 4)	120P0614	1
HOLDER,TACHOMETER2.3T (Ref # 5)	13091-1008	1
HOLDER,TACHOMETR,3.2T (Ref # 6)	13091-1009	1
GEAR,TACHOMETER,10T (Ref # 7)	13223-011	1
OIL SEAL (Ref # 8)	92050-075	1
RING-O,10MM (Ref # 9)	92055-1149	1
GASKET,TACHOMETER GER (Ref # 10)	92065-103	1
GUIDE,TACHOMETER GEAR (Ref # 11)	92087-010	1
HOLDER SET,TACHOMETER (Ref # 12)	13091-5001	1
VALVE ASSY REED (Ref # 13)	12021-1003	1
CAP ASSY,LH REED VLV (Ref # 14)	14075-5007	1
CAP ASSY,RH REED VLV (Ref # 15)	14075-5008	1
COVER,CYL HEAD F BLCK (Ref # 16)	14025-1201	1
BOLT,HEX HEAD,6X65 (Ref # 17)	92001-1102	1
BOLT,FLANGED,6X22 (Ref # 18)	92001-1352	1