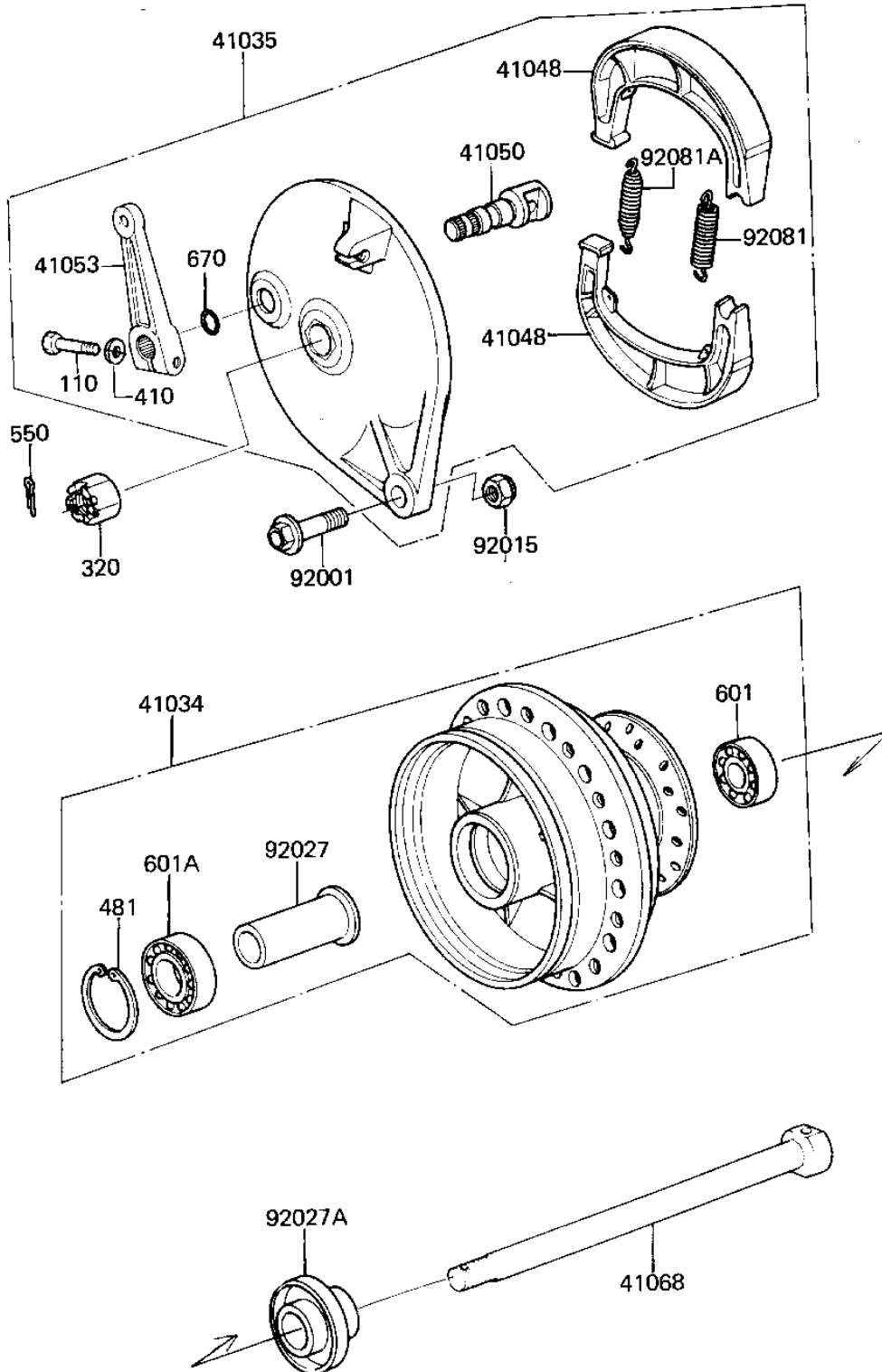


1981 KX™125 PARTS DIAGRAM

FRONT HUB/BRAKE ('81 A7)

F2230-0005



1981 KX™125 PARTS LIST

FRONT HUB/BRAKE ('81 A7)

| ITEM NAME | PART NUMBER | QUANTITY |
|-------------------------------------|---------------|----------|
| DRUM-ASSY,FR BRK,BLK (Ref # 41034) | 41034-1009-21 | 1 |
| PANEL-ASY,FR BRK (Ref # 41035) | 41035-1024 | 1 |
| SHOE,BRAKE (Ref # 41048) | 41048-015 | 1 |
| CAM SHAFT,FRONT BRAKE (Ref # 41050) | 41050-1006 | 1 |
| LEVER,BRAKE CAM,FRONT (Ref # 41053) | 41053-1007 | 1 |
| AXLE,FRONT (Ref # 41068) | 41068-1034 | 1 |
| BOLT,10X45 (Ref # 92001) | 92001-1182 | 1 |
| NUT,LOCK,10MM (Ref # 92015) | 92019-021 | 1 |
| COLLAR,FRONT BEARING (Ref # 92027) | 92027-1073 | 1 |
| COLLAR,TURN SIG FITT (Ref # 92027A) | 92027-1025 | 1 |
| SPRING,BRAKE SHOE (Ref # 92081) | 92081-1766 | 1 |
| SPRING,BRAKE SHOE (Ref # 92081A) | 92081-1550 | 1 |
| BOLT-UPSET (Ref # 110) | 112G0622 | 1 |
| NUT-CASTLE (Ref # 320) | 320G1200 | 1 |
| WASHER PLAIN 6MM (Ref # 410) | 410B0600 | 1 |
| CIRCLIP.37MM (Ref # 481) | 481J3700 | 1 |
| PIN-COTTER,3.2X28 (Ref # 550) | 550D3228 | 1 |
| BEARING BALL,#6201U (Ref # 601) | 601B6201U | 1 |
| BEARING BALL,#6301U (Ref # 601A) | 601B6301U | 1 |
| "O" RING,12MM (Ref # 670) | 670B2012 | 1 |