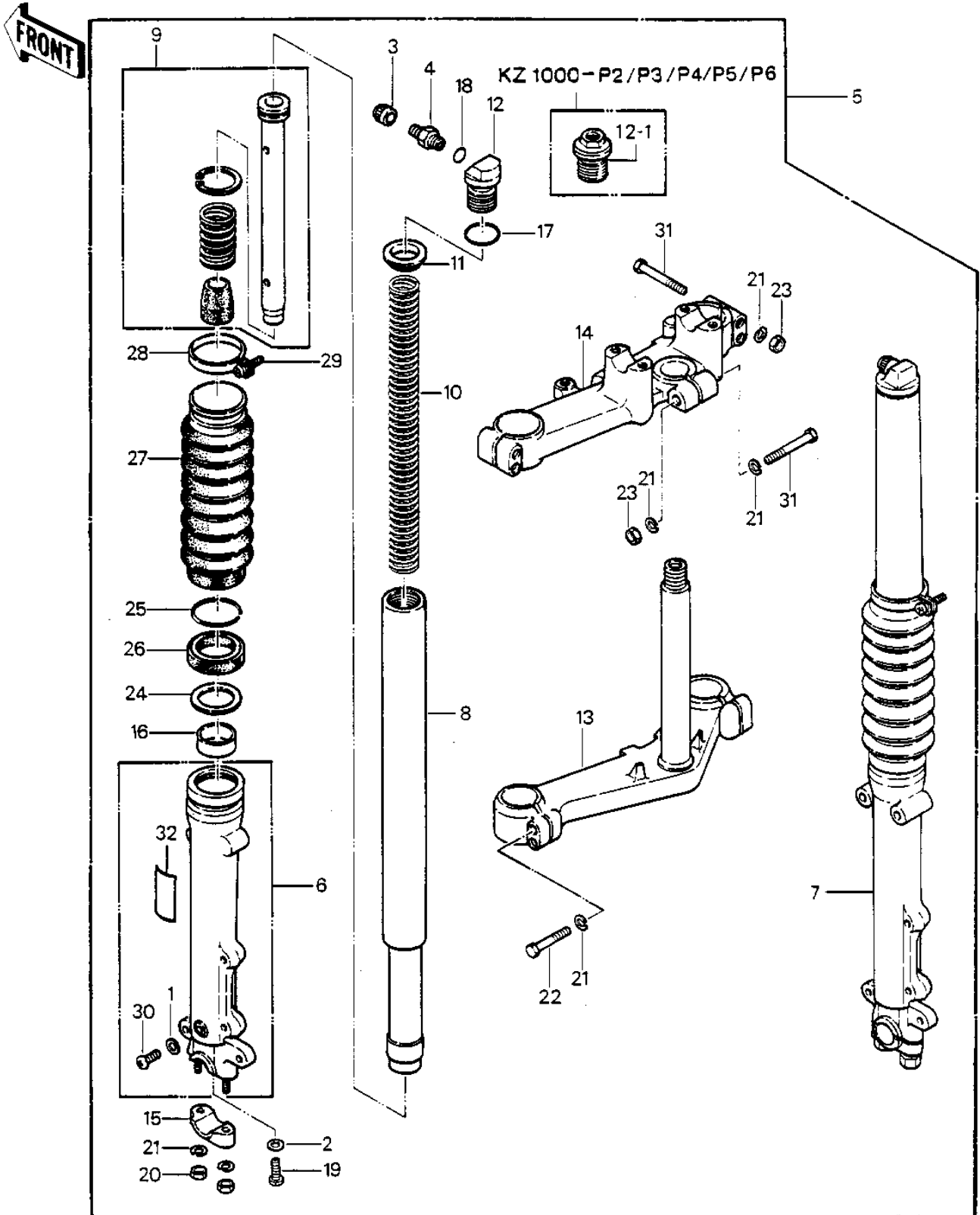


1982 Police 1000 PARTS DIAGRAM

FRONT FORK



1982 Police 1000 PARTS LIST

FRONT FORK

ITEM NAME	PART NUMBER	QUANTITY
GASKET FORK DRAIN PLG (Ref # 1)	44045-002	1
GASKET,FORK CYLINDER (Ref # 2)	44045-057	1
CAP,AIR VALVE (Ref # 3)	11012-1241	1
VALVE AIR (Ref # 4)	16126-1052	1
FORK-FRONT (Ref # 5)	44001-1343	1
FORK-FRONT (Ref # 5)	44001-4011	1
FORK-FRONT (Ref # 5)	44001-1606	1
TUBE,LH,FORK OUTER (Ref # 6)	44005-1100	1
PIPE-LEFT FORK OUTER (Ref # 6)	44005-4002	1
TUBE,RH,FORK OUTER (Ref # 7)	44006-1100	1
PIPE-RIGHT FORK OUTER (Ref # 7)	44006-4002	1
PIPE-FORK INNER (Ref # 8)	44013-1097	1
PIPE-FORK INNER (Ref # 8)	44013-4002	1
CYLINDER-FORK (Ref # 9)	44022-1083	1
CYLINDER-FORK (Ref # 9)	44022-1071	1
SPRING-FRONT FORK (Ref # 10)	44026-1154	1
SPRING-FRONT FORK (Ref # 10)	44026-4002	1
SPRING-FRONT FORK (Ref # 10)	44026-1312	1
GUIDE,FORK SPRING (Ref # 11)	44028-033	1
SEAT-FORK SPRING (Ref # 12)	44029-1029	1
SEAT-FORK SPRING (Ref # 12-1)	44029-4001	1
HOLDER-FORK UNDER (Ref # 13)	44037-1087	1
HOLDER-FORK UNDER (Ref # 13)	44037-4004	1
UNAVAILABLE IN PRICE BOOK (Ref # 14)	44029-1056	1
HOLDER-FORK UPPER (Ref # 14)	44039-4007	1
HOLDER-FRONT AXLE (Ref # 15)	44063-1006	1
HOLDER,FRONT AXLE (Ref # 15)	44063-011	1
BUSHING-FRONT FORK,OU (Ref # 16)	44065-1091	1
"O" RING,FORK TOP (Ref # 17)	92055-1012	1

1982 Police 1000 PARTS LIST

FRONT FORK

ITEM NAME	PART NUMBER	QUANTITY
"O" RING,AIR VALVE (Ref # 18)	92055-1094	1
BOLT-FORK CYLINDER (Ref # 19)	44041-040	1
NUT,LOCK,8MM (Ref # 20)	92015-1124	1
WASHER SPRING 8MM (Ref # 21)	461F0800	1
BOLT,8X38 (Ref # 22)	92001-1700	1
NUT 8MM (Ref # 23)	311G0800	1
WASHER,FORK OUT PIPE (Ref # 24)	92022-1262	1
SNAP RING,FORK OUTER (Ref # 25)	92033-1047	1
SEAL-OIL,FORK OUTER T (Ref # 26)	92049-1295	1
BOOT,FORK,BLACK (Ref # 27)	49006-1079	1
BAND,BOOT (Ref # 28)	92072-1046	1
CLAMP, BOOT, BLACK (Ref # 28)	92037-1321	1
SCREW-PAN-CROS (Ref # 29)	220B0420	1
SCREW PAN HEAD 4X8 (Ref # 30)	220B0408	1
BOLT,HEX HEAD,8X55 (Ref # 31)	114G0855	1
LABEL-WARNING,FRONT F (Ref # 32)	56040-1110	1