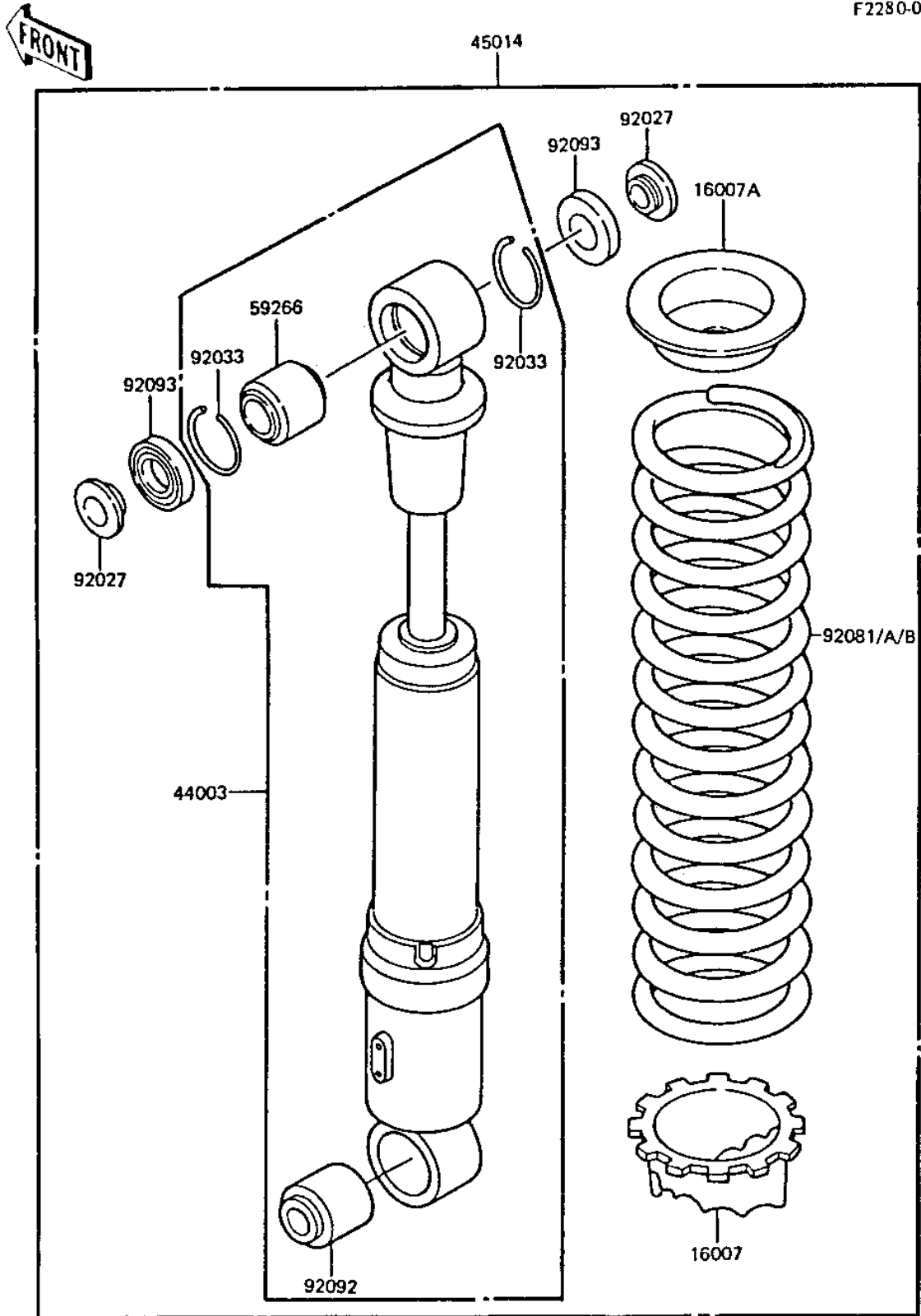


## 1983 KX™60 PARTS DIAGRAM

SHOCK ABSORBER

F2280-0006



## 1983 KX™60 PARTS LIST

### SHOCK ABSORBER

ITEM NAME	PART NUMBER	QUANTITY
SEAT-SPRING,REAR SHOC (Ref # 16007)	16007-1055	1
SEAT-SPRING,REAR SHOC (Ref # 16007A)	16007-1056	1
DAMPER-ASSY,REAR SHOC (Ref # 44003)	44003-1383	1
SHOCKABSORBER (Ref # 45014)	45014-1193	1
JOINT-BALL (Ref # 59266)	59266-1014	1
COLLAR,REAR SHOCK (Ref # 92027)	92027-1558	1
RING-SNAP,REARSHOCK (Ref # 92033)	92033-1090	1
SPRING,SHOCKABSORBER (Ref # 92081)	92081-1495	1
SPRING,REAR SHOCK,SOF (Ref # 92081A)	92081-1529	1
SPRING,REAR SHOCK,HEA (Ref # 92081B)	92081-1530	1
BUSHING-RUBBER,SHOCKA (Ref # 92092)	92092-1016	1
SEAL,REAR SHOCK (Ref # 92093)	92093-1087	1