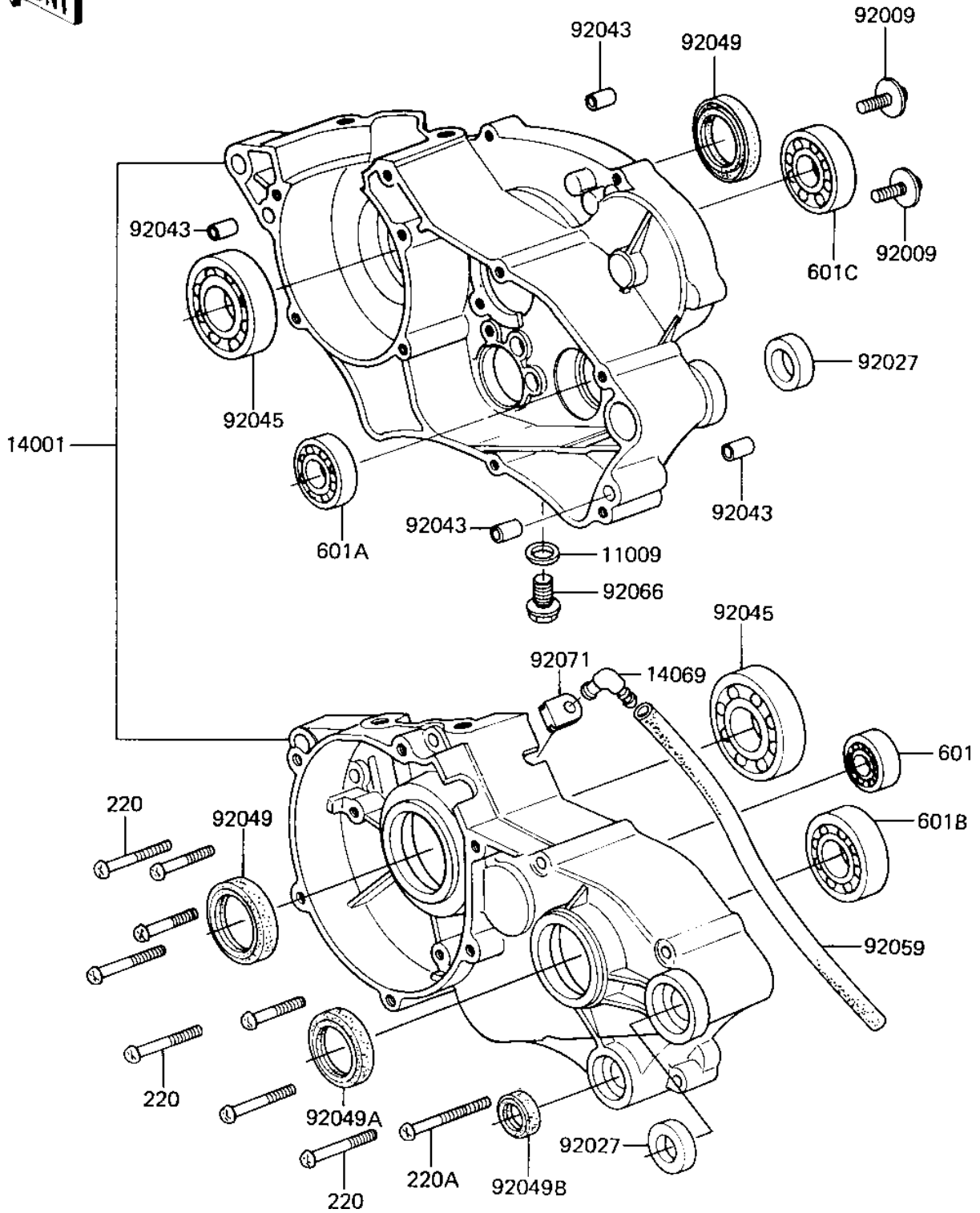


1983 KX™60 PARTS DIAGRAM

CRANKCASE

E1411-0074



1983 KX™60 PARTS LIST

CRANKCASE

ITEM NAME	PART NUMBER	QUANTITY
GASKET CHECK VALVE (Ref # 11009)	92065-058	1
SET-CRANKCASE (Ref # 14001)	14001-5151	1
BREATHER ASSY (Ref # 14069)	14069-1001	1
SCREW (Ref # 92009)	92009-1103	1
COLLAR,12.1X26X6 (Ref # 92027)	92027-1423	1
PIN-DOWEL (Ref # 92043)	92042-007	1
BEARING-BALL,R-6304C3 (Ref # 92045)	92045-1059	1
OIL SEAL,TBJ-20407 (Ref # 92049)	92049-1065	1
OIL SEAL SC25376 (Ref # 92049A)	92050-013	1
OIL SEAL,TB13225.5 (Ref # 92049B)	92051-005	1
TUBE,6X9X750 (Ref # 92059)	92059-1372	1
PLUG (Ref # 92066)	92066-1241	1
GROMMET (Ref # 92071)	92071-042	1
SCREW PAN HEAD 6X35 (Ref # 220)	220B0635	1
SCREW PAN HEAD 6X60 (Ref # 220A)	220B0660	1
BEARING-BALL (Ref # 601)	92045-1235	1
BEARING BALL #6002 (Ref # 601A)	601B6002	1
BEARING BALL #6004 (Ref # 601B)	601B6004	1
BEARING BALL #6203 (Ref # 601C)	601B6203	1