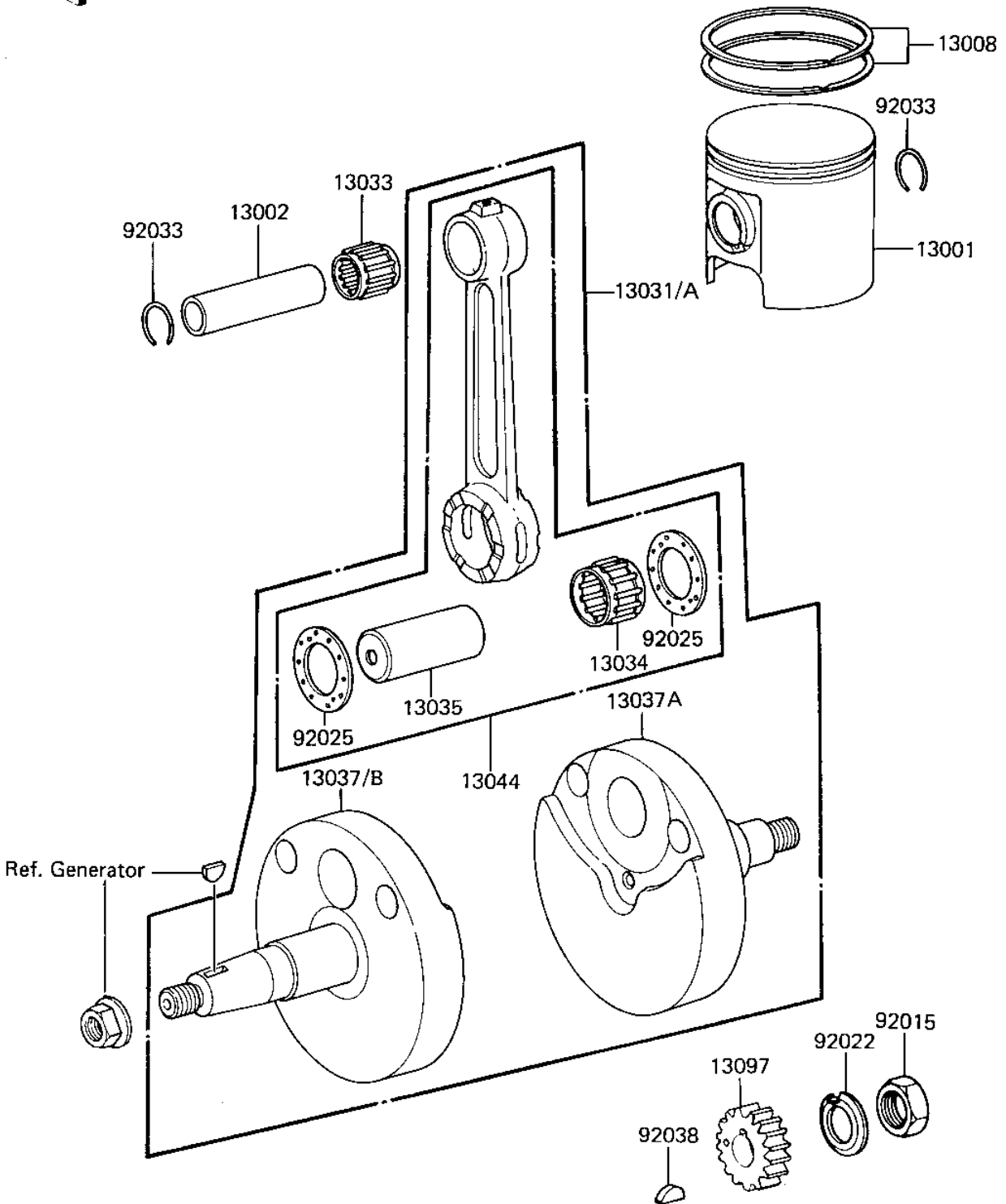


## 1983 KX™60 PARTS DIAGRAM

CRANKSHAFT/PISTON

E1321-0043



## 1983 KX™60 PARTS LIST

### CRANKSHAFT/PISTON

ITEM NAME	PART NUMBER	QUANTITY
PISTON-ENGINE (Ref # 13001)	13001-1080	1
PIN-PISTON (Ref # 13002)	13002-1020	1
RING-SET-PISTON (Ref # 13008)	13008-5050	1
CRANKSHAFT-COMP (Ref # 13031)	13031-1067	1
BRG N72KTV030 (Ref # 13033)	13033-028	1
BEARING-BIG END,SKT20 (Ref # 13034)	13034-1033	1
PIN,CRANK (Ref # 13035)	13035-1002	1
CRANKSHAFT,LH (Ref # 13037)	13037-1125	1
CRANKSHAFT,RH (Ref # 13037A)	13037-1126	1
SET-CONNECTING ROD (Ref # 13044)	13044-5024	1
GEAR-PRIMARY SPUR,22T (Ref # 13097)	13097-1055	1
NUT 12MM (Ref # 92015)	92015-006	1
WASHER LOCK 12MM (Ref # 92022)	92024-003	1
WASHER SIDE (Ref # 92025)	92025-005	1
CIRCLIP PISTON PIN (Ref # 92033)	92036-007	1
WOODRUFF KEY PRY PINI (Ref # 92038)	92038-003	1