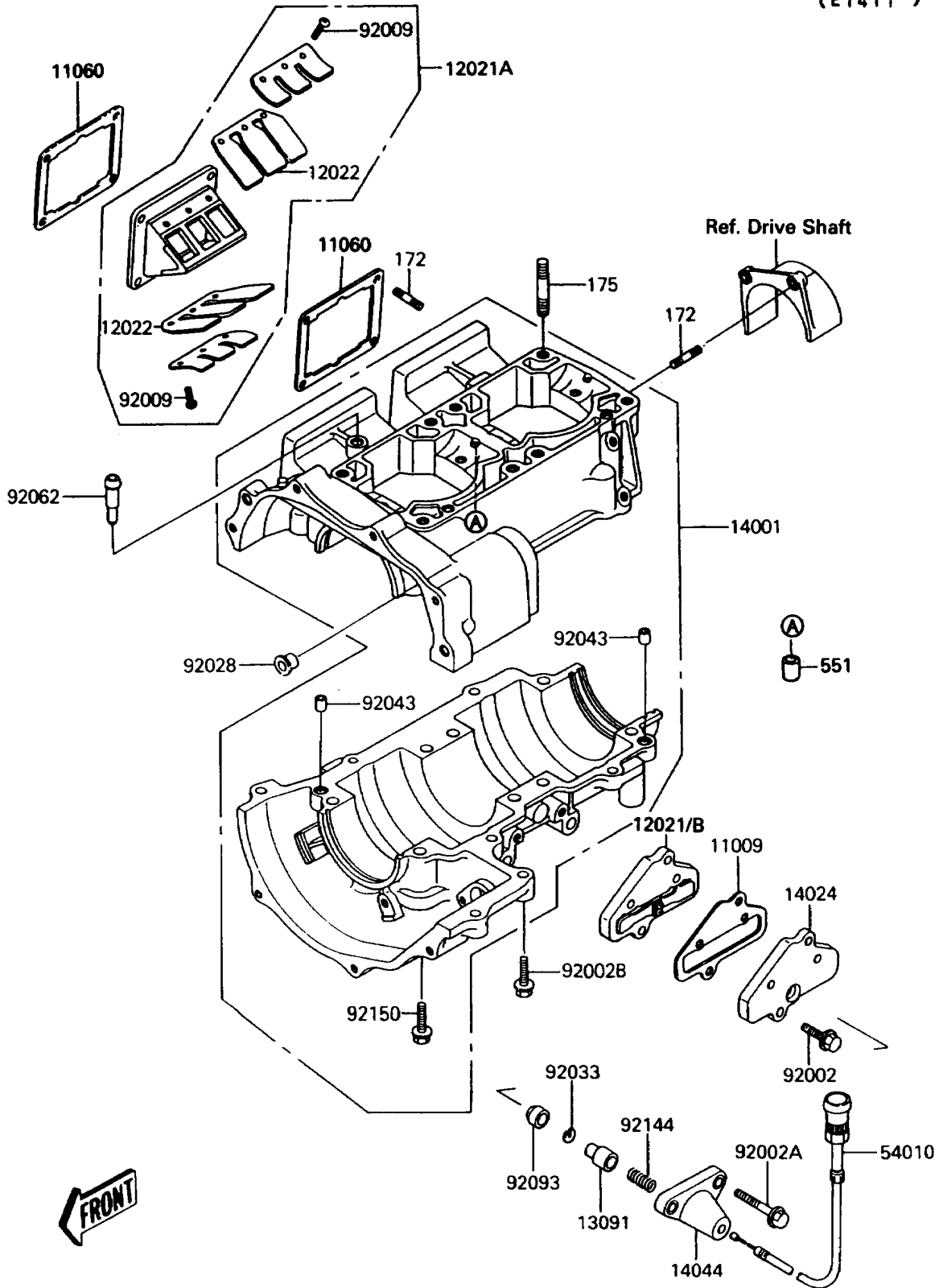


## 1991 JET MATE™ PARTS DIAGRAM

Crankcase

(E1411)



## 1991 JET MATE™ PARTS LIST

### Crankcase

| ITEM NAME                             | PART NUMBER | QUANTITY |
|---------------------------------------|-------------|----------|
| GASKET,CONTROL VALVE (Ref # 11009)    | 11009-3789  | 1        |
| GASKET,REED VALVE (Ref # 11060)       | 11060-3703  | 1        |
| VALVE-ASSY-REED,CONTROL (Ref # 12021) | 12021-3703  | 1        |
| VALVE-ASSY-REED (Ref # 12021A)        | 12021-3704  | 1        |
| VALVE-REED (Ref # 12022)              | 12022-1001  | 1        |
| HOLDER (Ref # 13091)                  | 13091-3707  | 1        |
| SET-CRANKCASE (Ref # 14001)           | 14001-5289  | 1        |
| COVER,CONTROL VALVE (Ref # 14024)     | 14024-3716  | 1        |
| HOLDER-CABLE (Ref # 14044)            | 14044-3702  | 1        |
| CABLE,CONTROL VALVE (Ref # 54010)     | 54010-3707  | 1        |
| BOLT,6X25 (Ref # 92002)               | 92002-3714  | 1        |
| BOLT,6X45 (Ref # 92002A)              | 92002-3717  | 1        |
| BOLT,6X30 (Ref # 92002B)              | 92002-3726  | 1        |
| SCREW,REED VALVE (Ref # 92009)        | 92009-1014  | 1        |
| BUSHING (Ref # 92028)                 | 92028-3718  | 1        |
| RING-SNAP (Ref # 92033)               | 92033-3708  | 1        |
| PIN,DOWEL,10X14 (Ref # 92043)         | 92043-1037  | 1        |
| NOZZLE (Ref # 92062)                  | 92062-3705  | 1        |
| SEAL (Ref # 92093)                    | 92093-3703  | 1        |
| SPRING (Ref # 92144)                  | 92144-3701  | 1        |
| BOLT,8X65 (Ref # 92150)               | 92150-3708  | 1        |
| BOLT-STUD (Ref # 172)                 | 172R0620    | 1        |
| BOLT-STUD-FINE (Ref # 175)            | 175R1035    | 1        |
| PIN-DOWEL (Ref # 551)                 | 551R0612    | 1        |