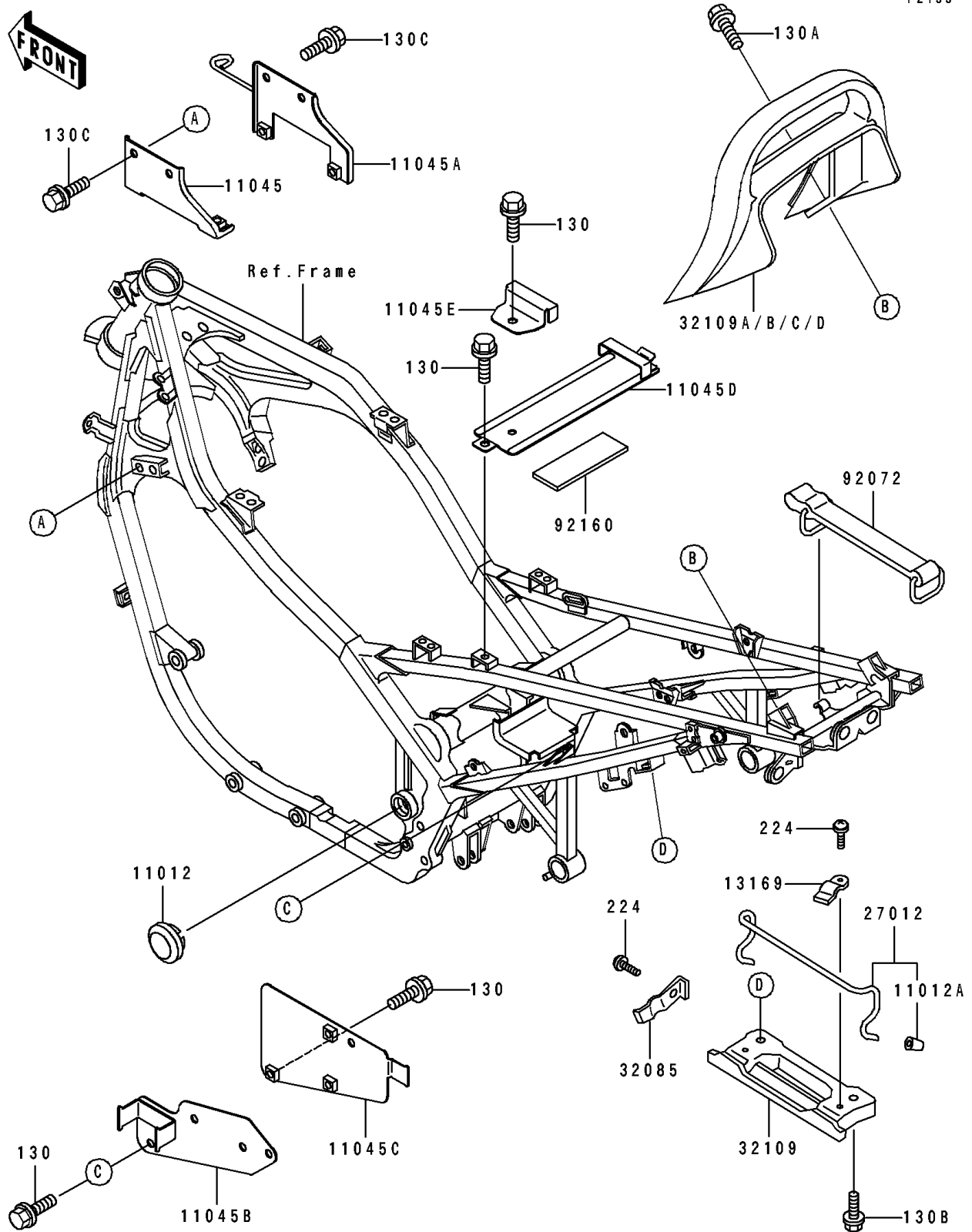


1990 EX500 PARTS DIAGRAM

Electro Bracket

F2133



1990 EX500 PARTS LIST

Electro Bracket

ITEM NAME	PART NUMBER	QUANTITY
CAP,SWING ARM BRACKET (Ref # 11012)	11012-1558	1
CAP,BUNGEE CORD HOOK (Ref # 11012A)	11012-1589	1
BRACKET,IGNITION COIL,LH (Ref # 11045)	11045-1419	1
BRACKET,IGNITION COIL,RH (Ref # 11045A)	11045-1420	1
BRACKET,REGULATOR (Ref # 11045B)	11045-1421	1
BRACKET,IGNITER (Ref # 11045C)	11045-1422	1
BRACKET,BATTERY BAND (Ref # 11045D)	11045-1423	1
BRACKET,JUNCTION BOX (Ref # 11045E)	11045-1424	1
PLATE,GRIP (Ref # 13169)	13169-1760	1
HOOK,BUNGEE CORD (Ref # 27012)	27012-1311	1
STOPPER,HOOK (Ref # 32085)	32085-1187	1
GRIP-FRAME (Ref # 32109)	32109-1108	1
GRIP-FRAME,TAIL,EBONY (Ref # 32109A)	32109-1156-H8	1
GRIP-FRAME,TAIL,L.P.BLUE (Ref # 32109C)	32109-1156-M4	1
BAND (Ref # 92072)	92072-1085	1
DAMPER,BATTERY (Ref # 92160)	92160-1094	1
BOLT-FLANGED,6X8 (Ref # 130)	130B0608	1
BOLT-FLANGED (Ref # 130A)	130D0814	1
BOLT-FLANGED,8X14 (Ref # 130B)	130G0814	1
BOLT-FLANGED,6X14,BLACK (Ref # 130C)	130J0614	1
SCREW-PAN-WP-CROS (Ref # 224)	224C0508	1