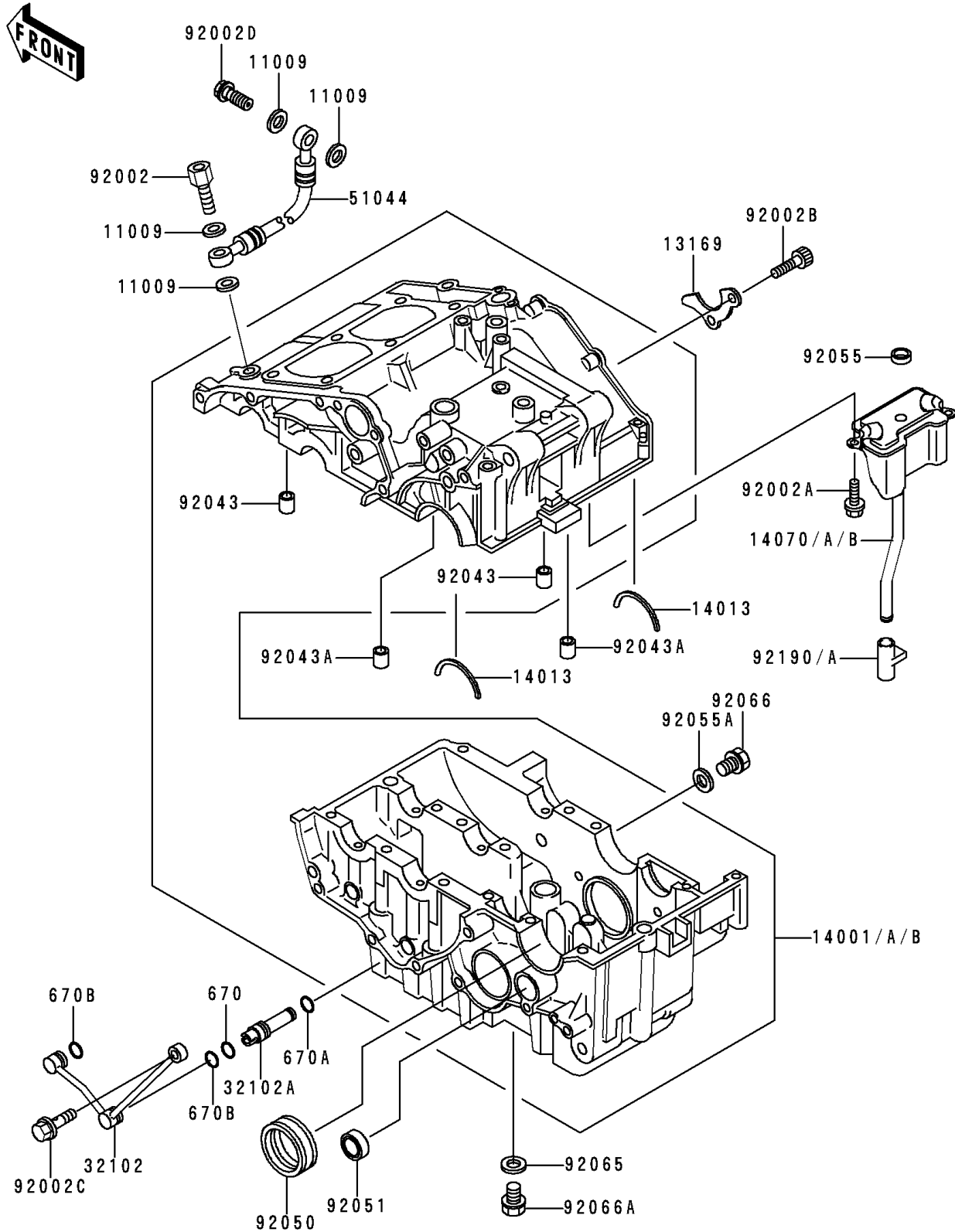


1992 NINJA® 250R PARTS DIAGRAM

Crankcase

E1411



1992 NINJA® 250R PARTS LIST

Crankcase

| ITEM NAME | PART NUMBER | QUANTITY |
|--------------------------------------------|-------------|----------|
| O RING,9MM (Ref # 670) | 670D1509 | 1 |
| GASKET,10X14.5X1.5 (Ref # 11009) | 11009-1105 | 1 |
| PLATE (Ref # 13169) | 13169-1659 | 1 |
| SET-CRANKCASE (Ref # 14001A) | 14001-1095 | 1 |
| SET-CRANKCASE (Ref # 14001B) | 14001-5237 | 1 |
| RING-POSITION (Ref # 14013) | 14013-004 | 1 |
| BODY-BREATHER (Ref # 14070) | 14070-1065 | 1 |
| BODY-BREATHER (Ref # 14070B) | 14070-1081 | 1 |
| PIPE (Ref # 32102) | 32102-1017 | 1 |
| PIPE (Ref # 32102A) | 32102-1018 | 1 |
| TUBE-ASSY (Ref # 51044) | 51044-1074 | 1 |
| BOLT,OIL SWITCH (Ref # 92002) | 92002-1427 | 1 |
| BOLT,6X10 (Ref # 92002A) | 92002-1449 | 1 |
| BOLT,SOCKET,6X14 (Ref # 92002B) | 92002-1592 | 1 |
| BOLT,BANJO,8X20 (Ref # 92002C) | 92002-1705 | 1 |
| BOLT,OIL,L=23 (Ref # 92002D) | 92002-1907 | 1 |
| PIN,9.2X12X14 (Ref # 92043) | 92043-1265 | 1 |
| PIN,3.5X6X16 (Ref # 92043A) | 92043-1309 | 1 |
| SEAL-OIL,SC325210 (Ref # 92050) | 92050-024 | 1 |
| SEAL-OIL,TB13225.5 (Ref # 92051) | 92051-005 | 1 |
| RING-O,OD=18 (Ref # 92055) | 92055-048 | 1 |
| RING-O (Ref # 92055A) | 92055-1146 | 1 |
| GASKET,12X22X2,DRAIN PLUG (Ref # 92065) | 92065-097 | 1 |
| PLUG,MAIN GALLERY,18X9,BLACK (Ref # 92066) | 92066-1096 | 1 |
| PLUG,OIL DRAIN,12X15 (Ref # 92066A) | 92066-1174 | 1 |
| TUBE (Ref # 92190A) | 92190-1489 | 1 |
| O RING (Ref # 670A) | 670D2010 | 1 |
| O RING,12MM (Ref # 670B) | 670D2012 | 1 |