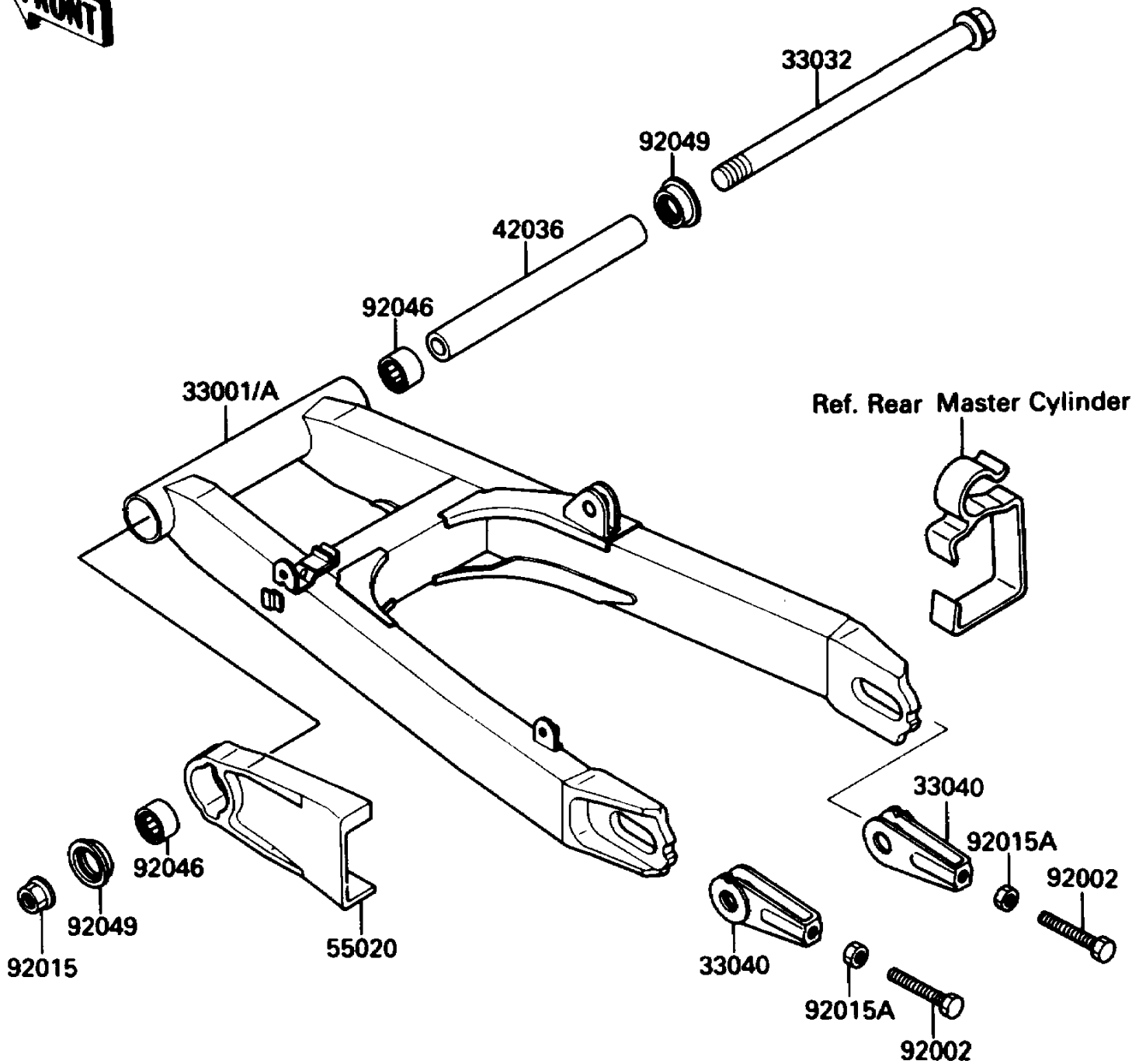


1988 NINJA® 250R PARTS DIAGRAM

Swingarm

F2141-0054



1988 NINJA® 250R PARTS LIST

Swingarm

| ITEM NAME | PART NUMBER | QUANTITY |
|--|---------------|----------|
| ARM-COMP-SWING,SILVER NO.15 (Ref # 33001A) | 33001-1301-X3 | 1 |
| SHAFT-SWING ARM (Ref # 33032) | 33032-1134 | 1 |
| ADJUSTER-CHAIN (Ref # 33040) | 33040-043 | 1 |
| SLEEVE,16.1X22X213 (Ref # 42036) | 42036-1218 | 1 |
| GUARD,CHAIN (Ref # 55020) | 55020-1218 | 1 |
| BOLT,8X55 (Ref # 92002) | 92002-1825 | 1 |
| NUT,16MM (Ref # 92015) | 92015-1041 | 1 |
| NUT,8MM (Ref # 92015A) | 92015-1364 | 1 |
| BEARING-NEEDLE,TA2230Z (Ref # 92046) | 92046-1174 | 1 |
| SEAL-OIL (Ref # 92049) | 92049-1289 | 1 |