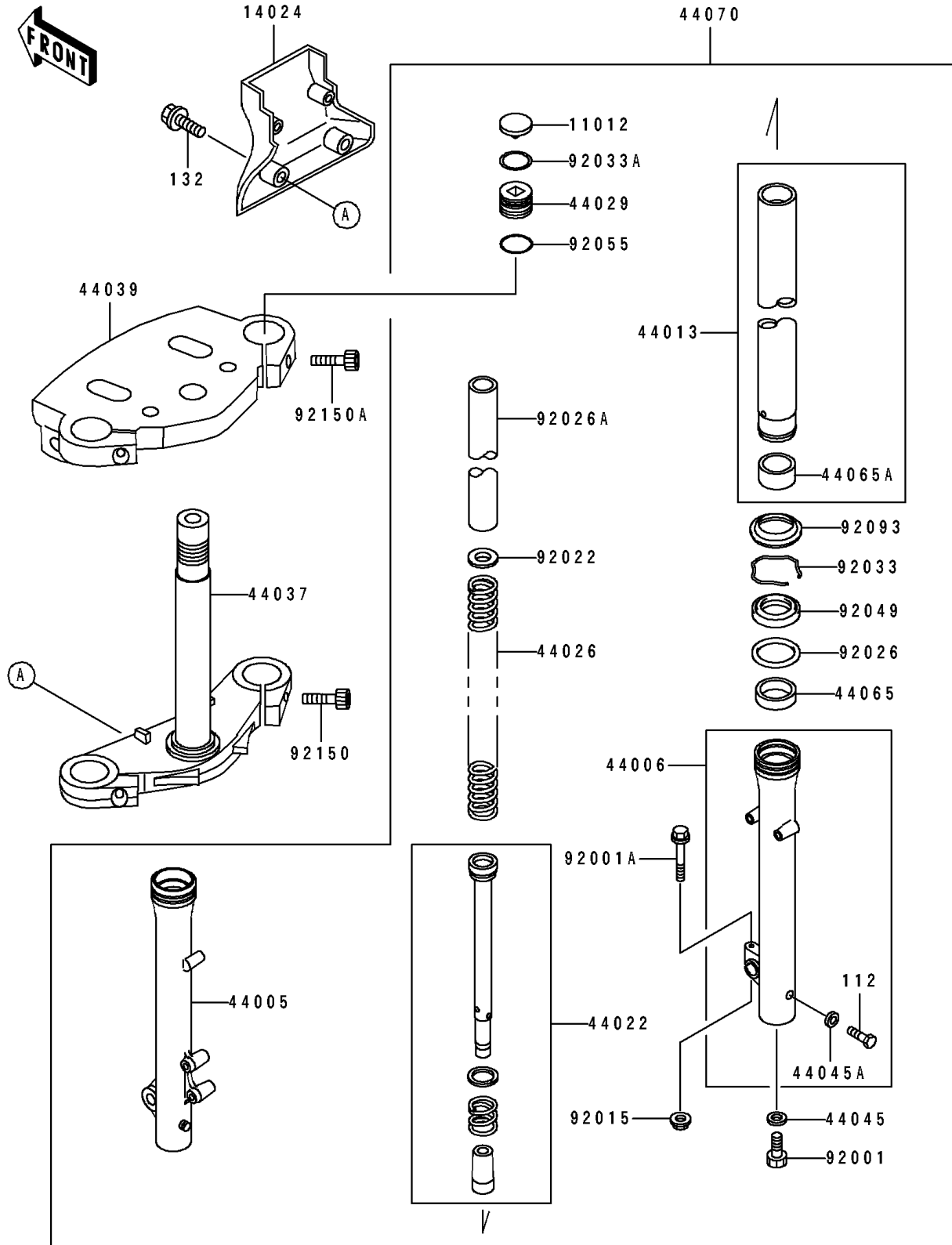


1995 Vulcan® 500 PARTS DIAGRAM

Front Fork

F2340



1995 Vulcan® 500 PARTS LIST

Front Fork

ITEM NAME	PART NUMBER	QUANTITY
CAP,FORK TOP (Ref # 11012)	11012-1689	1
COVER (Ref # 14024)	14024-1900	1
PIPE-LEFT FORK OUTER (Ref # 44005)	44005-1230	1
PIPE-RIGHT FORK OUTER (Ref # 44006)	44006-1230	1
PIPE-FORK INNER (Ref # 44013)	44013-1286	1
CYLINDER-FORK (Ref # 44022)	44022-1178	1
SPRING-FRONT FORK (Ref # 44026)	44026-1464	1
SEAT-FORK SPRING (Ref # 44029)	44029-1124	1
HOLDER-FORK UNDER (Ref # 44037)	44037-1265	1
HOLDER-FORK UPPER (Ref # 44039)	44039-1198	1
GASKET,FORK CYLINDER BOLT (Ref # 44045)	44045-051	1
GASKET,DRAIN PLUG (Ref # 44045A)	44045-052	1
BUSHING-FRONT FORK (Ref # 44065)	44065-1068	1
BUSHING-FRONT FORK,INNER PIPE (Ref # 44065A)	44065-1069	1
DAMPER-ASSY,FORK (Ref # 44070)	44070-5031	1
BOLT,FORK CYLINDER (Ref # 92001)	92001-1464	1
BOLT,FLANGED,8X50 (Ref # 92001A)	92001-1486	1
NUT,FLANGED,8MM (Ref # 92015)	92015-1055	1
WASHER (Ref # 92022)	92022-1702	1
SPACER,FORK (Ref # 92026)	92026-1038	1
SPACER (Ref # 92026A)	92026-1392	1
RING-SNAP,FORK (Ref # 92033)	92033-1193	1
RING-SNAP,FORK TOP (Ref # 92033A)	92033-1220	1
SEAL-OIL,FORK (Ref # 92049)	92049-1226	1
RING-O,FORK SPRING SEAT (Ref # 92055)	92055-1359	1
SEAL,FORK (Ref # 92093)	92093-1196	1
BOLT,SOCKET,10X25 (Ref # 92150)	92150-1387	1
BOLT,SOCKET,8X30 (Ref # 92150A)	92150-1407	1
BOLT-UPSET (Ref # 112)	112B0608	1

1995 Vulcan® 500 PARTS LIST

Front Fork

ITEM NAME	PART NUMBER	QUANTITY
BOLT-FLANGED-SMALL (Ref # 132)	132E0625	1