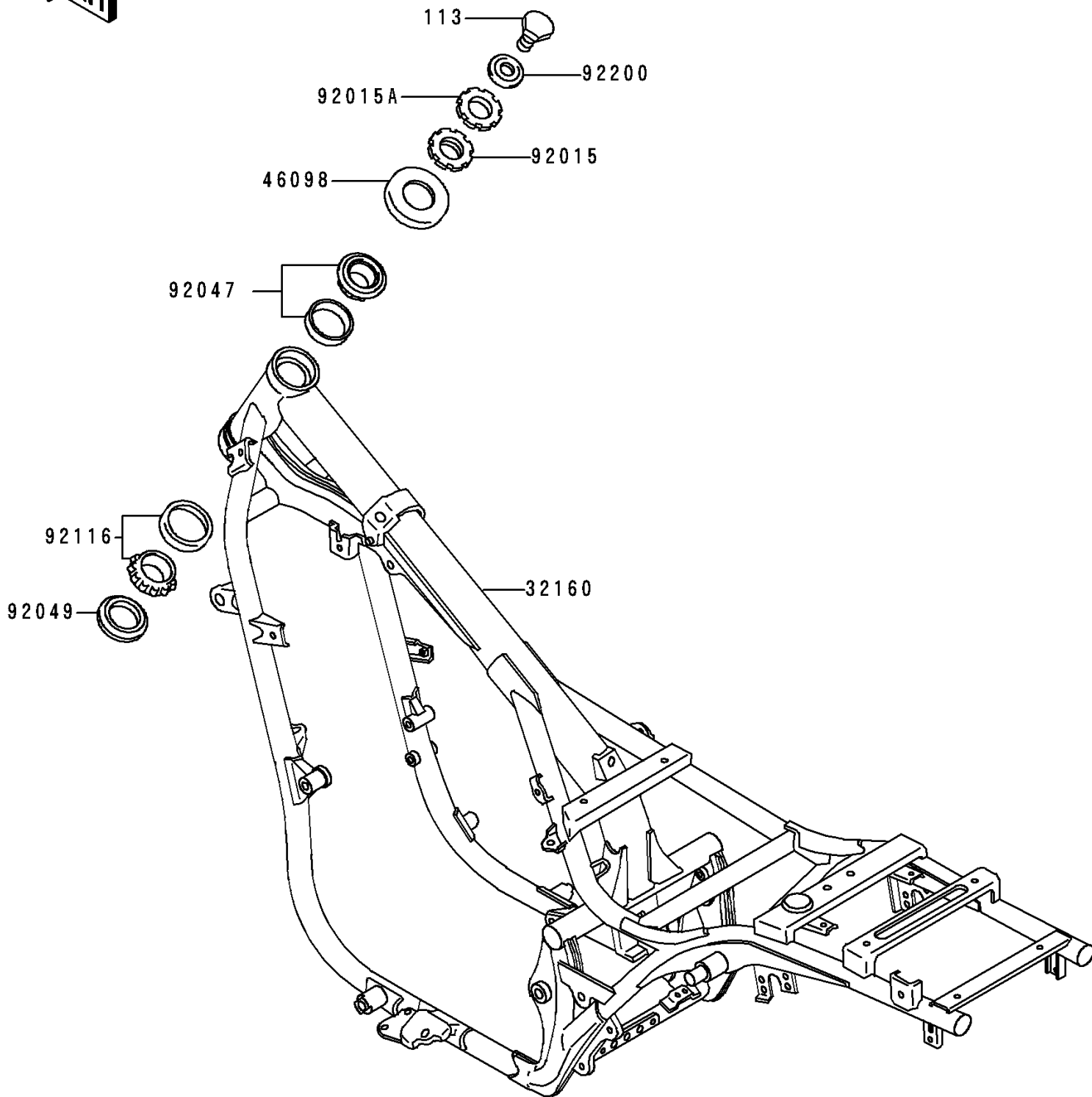


1990 Vulcan® 500 PARTS DIAGRAM

Frame

F2120



1990 Vulcan® 500 PARTS LIST

Frame

ITEM NAME	PART NUMBER	QUANTITY
BOLT-SMALL-FINE,14X25 (Ref # 113)	113G1425	1
FRAME-COMP (Ref # 32160)	32160-1107	1
CAP,STEERING STEM (Ref # 46098)	46098-017	1
NUT,25MM,T=10 (Ref # 92015)	92015-1377	1
NUT,25MM,T=6 (Ref # 92015A)	92015-1378	1
RACE,ROLLER,32005JR RS (Ref # 92047)	92047-017	1
SEAL-OIL,XMHE36X52X4J (Ref # 92049)	92049-1162	1
BEARING-ROLLER,HR320/28XJ (Ref # 92116)	92116-1009	1
WASHER (Ref # 92200)	92200-1140	1